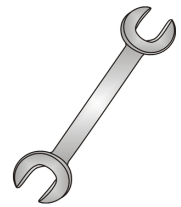




Tow-Trust Towbars

Important: Please read General Notes overleaf before fitting



Issue 4

TLAN7VK LAND ROVER DISCOVERY 5 2017>

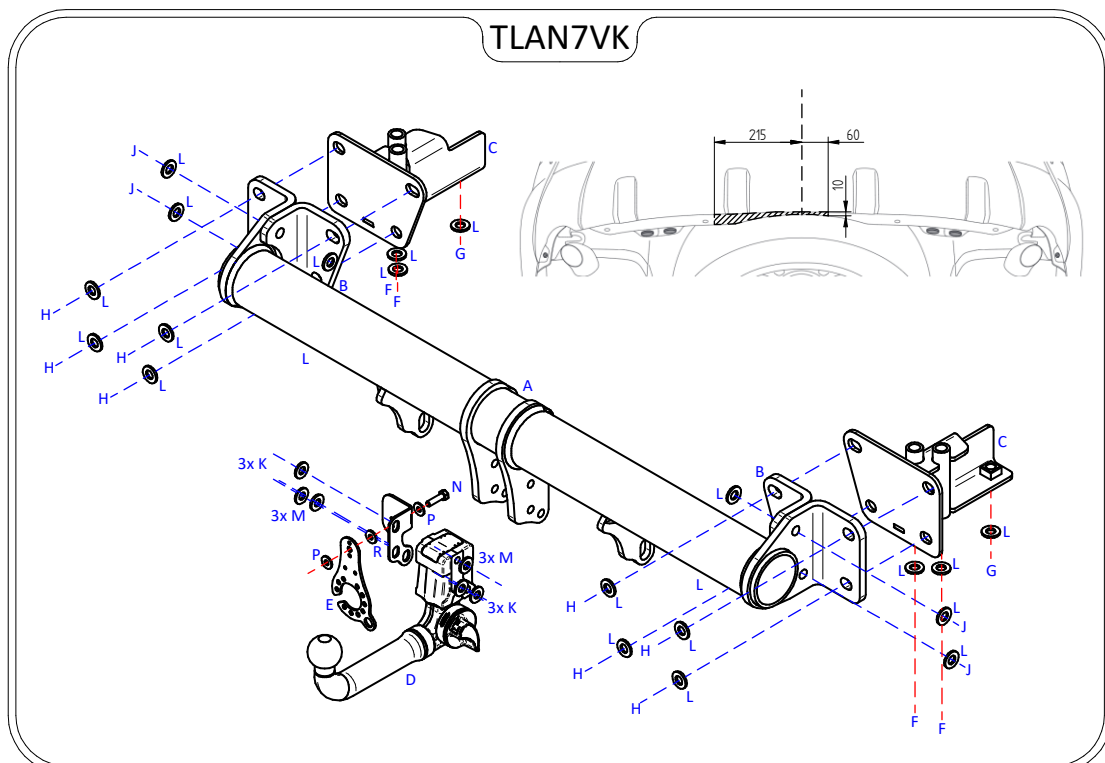
| Item | Qty | Description | Item | Qty | Description |
|------|-----|-----------------------|------|-----|------------------------------------|
| A | 1 | TLAN7 Crossmember | E | 1 | TLAN7 Socket Plate |
| B | 2 | Handed Angle Brackets | F | 4 | M14 x 150 Bolts & S/P Washers |
| C | 2 | Handed Side Arms | G | 2 | M14 x 35 Bolts & S/P Washers |
| D | 1 | 6242 Detachable Neck | H | 8 | M14 x 45 Bolts & S/P Washers |
| | | | J | 4 | M14 x 50 Bolts & Nyloc Nuts |
| | | | K | 6 | M12 x 30 (10.9) Bolts & S/P Washer |
| | | | L | 22 | 14 x 27 Flat Washers |
| | | | M | 6 | 12 x 25 Flat Washers |
| | | | N | 1 | M8 x 30 Bolt & Nyloc Nut |
| | | | P | 2 | 8 x 20 Flat Washer |
| | | | R | 1 | Neoprene Washer |

BUMPER REMOVAL:

1. Unbolt the rear exhaust silencer hangers and support to prevent damage, lower the spare wheel, remove the exhaust heat shields.
2. Carefully remove the plastic trim above each reflector. Unclip reflectors located in the bumper this will reveal one fixing to be removed.
3. Remove six fixings from the bumper lower edge. Remove two fixings from each wheel arch, peel back wheel arch liner to reveal one additional fixing either side to remove.
4. Carefully release the bumper from the vehicles body.
5. Remove the rear impact beam, two fixings in the lower face of each chassis and two fixings either side of the rear panel. (This is not refitted with the Towbar assembly)
6. Cut the rear bumper Centrally as shown in sketch below.

TOWBAR INSTALLATION:

1. Insert Items C into each correct chassis member and fix in place using Item G with Item L at the forward mounting point and Items F with Items L at the rearmost mounting points.
2. Using Item H with Item L fix Item A and Items B to the rear panel.
3. Fix Item A to Item B using Items J with Items L.
4. Using Item K with Item M fix Item D and Item E to Item A.
5. Fully tighten all fixings ensuring the Towbar is rigid, square and secure.
6. Refit exhaust heat shields, rehang exhaust silencers, raise the spare wheel and refit bumper and trim.



Note:

1. Torque Settings see notes overleaf.
2. Nose load limits and vehicle manufacturers trailer / caravan weight limits must be observed.