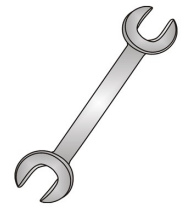




Tow-Trust Towbars

Important: Please read General Notes overleaf before fitting



Issue 1

TBMW10VK BMW X5 (G05) / X6 (G06) / X7 (G07)

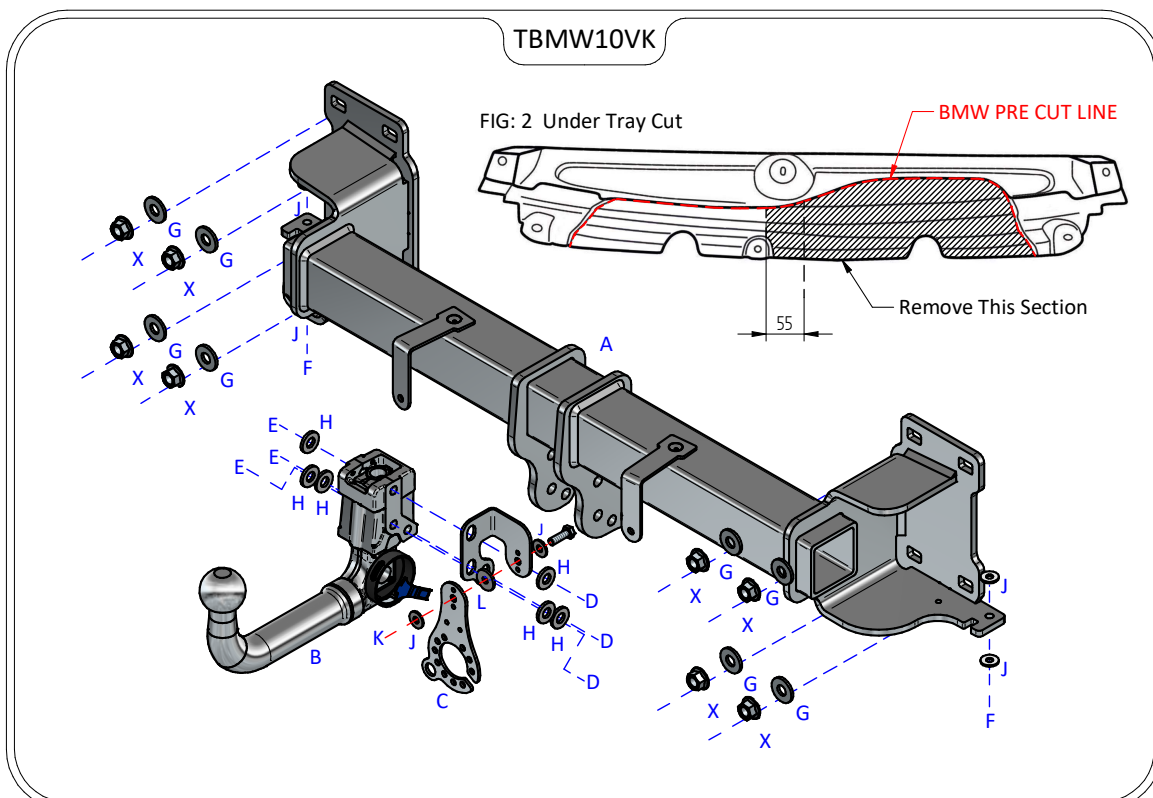
Item	Qty	Description	Item	Qty	Description
A	1	TBMW10 Crossmember	C	1	TBMW10VK R/H Flip Up Socket Plate
B	1	6220 Detachable Neck	D	3	M12 x 25 (10.9) Bolts & S/P Washers
			E	3	M12 x 25 (10.9) Bolts & S/P Washers
			F	2	M8 x 30 Bolts & Nyloc Nuts
			G	8	12 x 30 Flat Washers
			H	6	12 x 25 Flat Washers
			J	7	8 x 20 Flat Washers
			K	1	M8 x 35 Bolt & Nyloc Nut
			L	1	Neoprene Washer
			X	8	Impact Beam Original BMW Nuts (115Nm)

BUMPER REMOVAL:

1. Remove the inner plastic trim from the inside face of each cluster on the boot opening this will reveal one bumper fixing to remove.
2. Carefully remove each fog light from the rear bumper and remove bumper fixing from beneath.
3. Remove 26 fixings from the lower edge of the bumper and under tray. Carefully unclip the wheel arch trim to reveal one fixing. Carefully release the bumper from the vehicle body then pull the bumper rearwards disconnecting and necessary wiring looms.
4. Remove the black inner bumper support from the rear impact beam and retain ready for refitting to Item A.
5. Remove the fixings securing the rear exhaust silencer to the rear impact beam and support to prevent damage, remove the rear impact beam. (The rear impact beam is not refitted with the Towbar assembly and should be handed back to the customer).

TOWBAR INSTALLATION:

1. Fix Item A to the rear panel using Item X and Item G.
2. Fix Item B and Item C to Item A using Items D with Items H and Item E with Items H.
3. Assembly Item C using Item K with Item J and Item L & Item J between both parts, pinch Item K so there's just enough resistance.
4. Using Item F with Item J fix the rear exhaust silencer to Item A.
5. Fully tighten all fixings ensuring the Towbar is rigid, square and secure.
6. Using two of the original fixings secure the inner plastic bumper support to Item A.
7. Refit the rear bumper.
8. Cut the rear under tray as per FIG: 2 and refit.



Note:

1. Torque Settings see notes overleaf.
2. Nose load limits and vehicle manufacturers trailer / caravan weight limits must be observed.