

## TVOLV14SN VOLVO V60 & V90 Cross Country 2017>

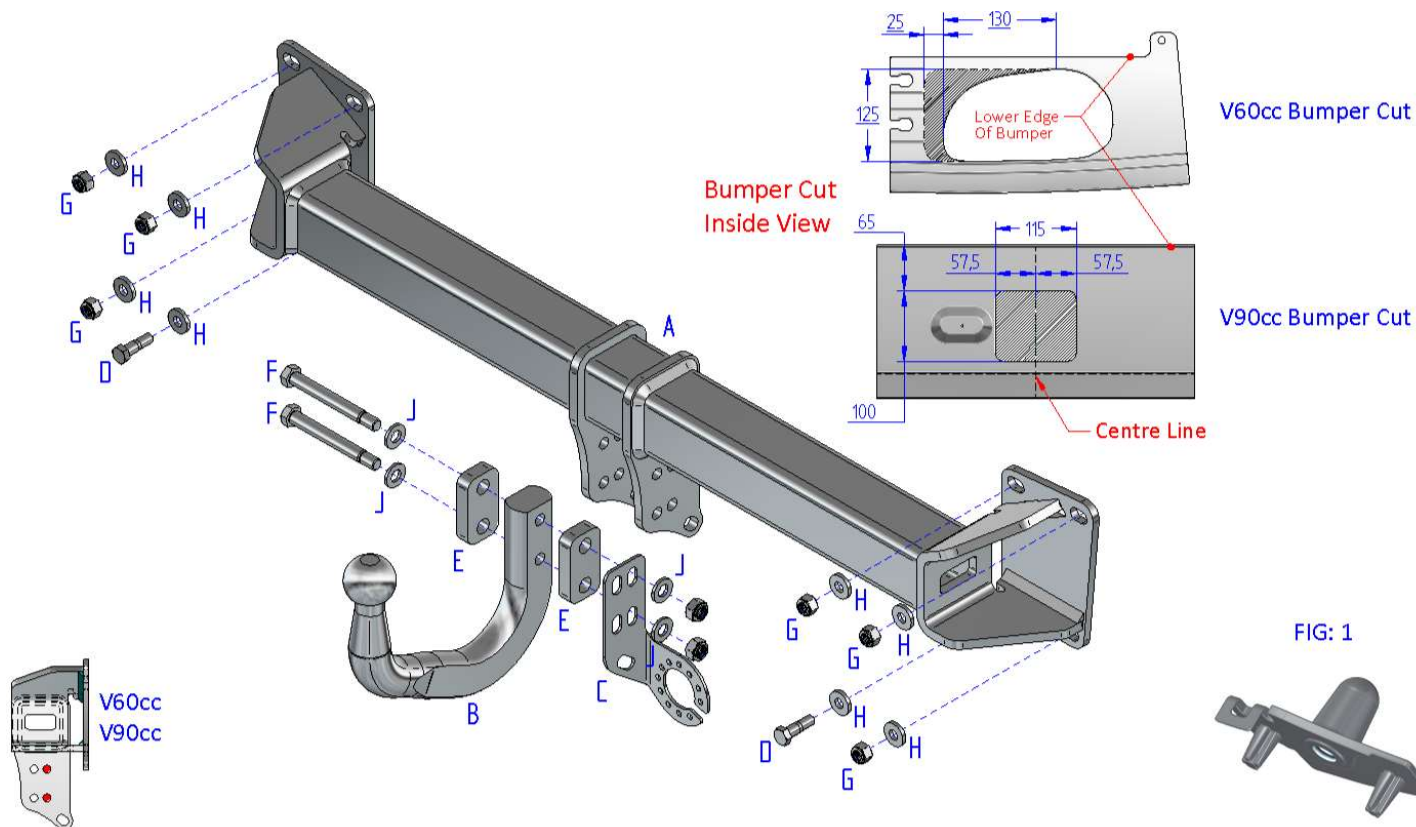
Item	Qty	Description	Item	Qty	Description
A	1	TVOLV14 Crossmember	C	1	VASP8 R/H Socket Plate
B	1	ACS2 / 9202 Swan Neck	D	2	M10 x 40 Bolts & S/P Washers
			E	2	15mm Spacer Plates
			F	2	M12 x 110 (10.9) Bolts & Nyloc Nuts
			G	6	M10 Nyloc Nuts
			H	8	10 x 25 Flat Washers
			J	4	12 x 25 Flat Washers

### BUMPER REMOVAL:

1. Open the rear tail gate and remove **V60** one push in clip on each side **V90** one bump stop on each side, remove bump stop by rotating anticlockwise by 60 degrees.
2. Remove four fixings from the bumper lower edge, (**V60** remove four fixings) (**V90** remove five fixings) from each wheel arch, (**V60** remove one fixing each side to release arch trim) peel back arch trim and remove the bumper tip screw from the vehicle body (**V90** carefully release plastic removable clamp once tip screw is removed see Fig 1), pull bumper out sideways then rearward disconnecting any necessary wiring looms.
3. Remove rear impact beam (This is not refitted with the Towbar assembly).
4. Cut the rear bumper as per the sketch's below for the relevant bumper version.

### TOWBAR INSTALLATION:

1. Fit Item **A** to the rear panel using Item **G** with Item **H** and item **D** with Item **H**.
2. Fully tighten the rear panel fixings.
3. Refit Bumper.
4. Fix Item **B** and Item **C** to Item **A** using Items **F** with Items **J** and Items **E**.
5. Fully tighten all remaining fixings.



### Notes:

1. For Torque settings see general notes overleaf.
2. Nose load limits and vehicle manufacturer's trailer / caravan weight limits must be observed.