

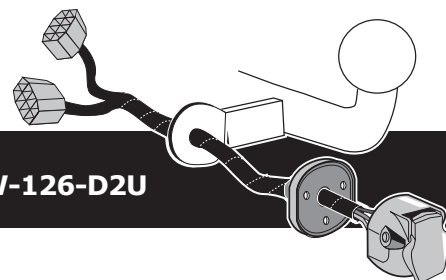
## Volkswagen

**Transporter T5 (GP) 2010 >> 06/2015**

**Transporter T5 Pickup (GP) 2010 >> 06/2015**

**Transporter T6 07/2015 >> 12/2019**

**Transporter T6 Pickup 07/2015 >> 12/2019**

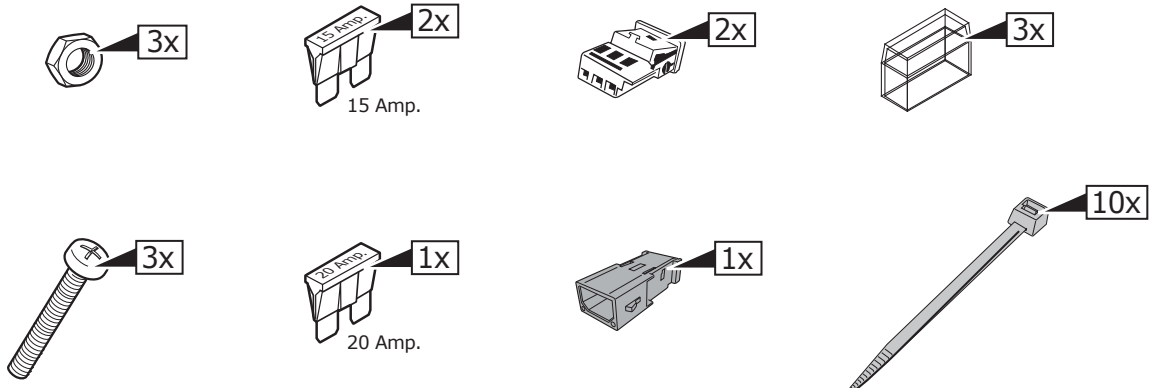
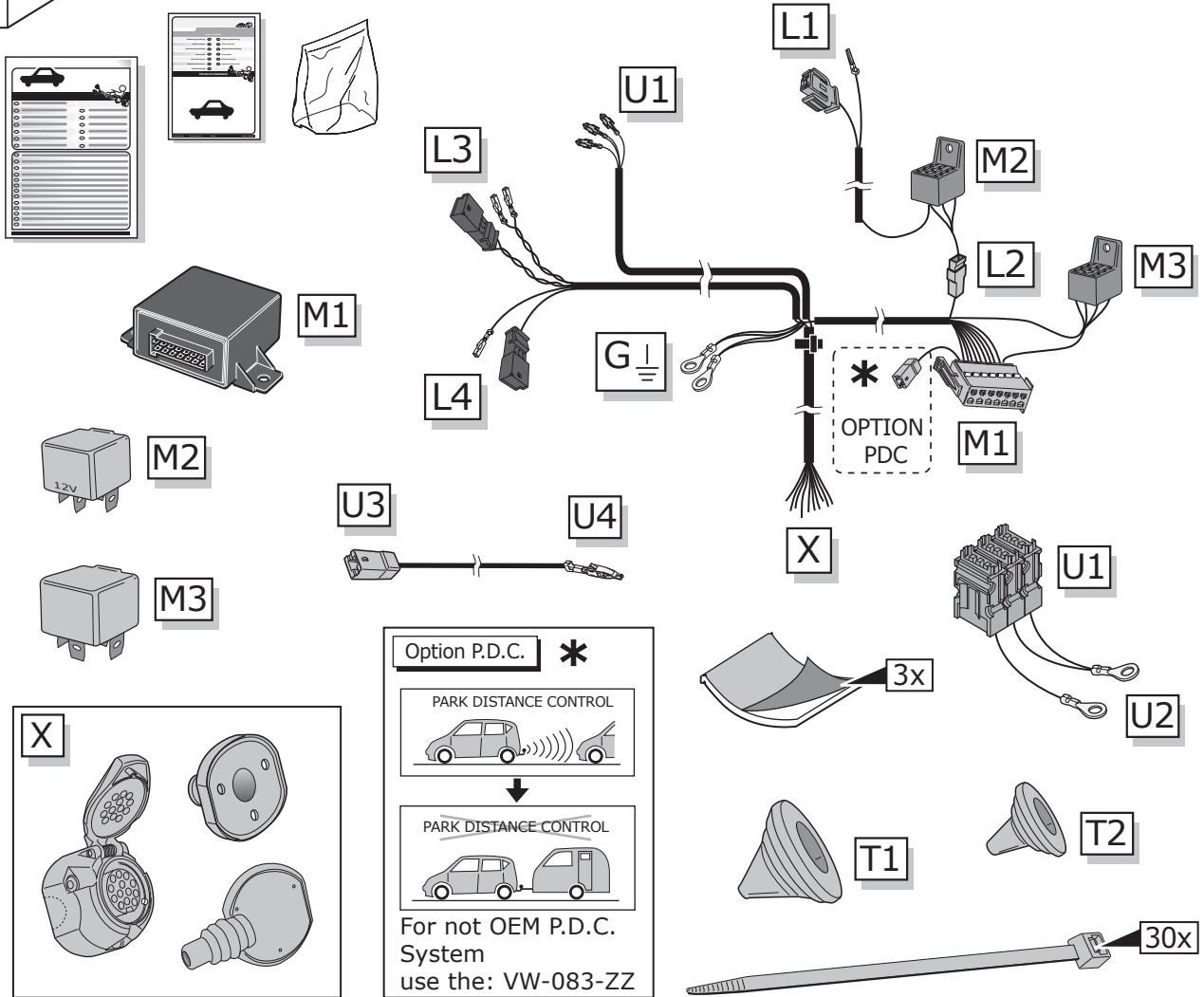
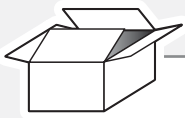


**Partnr.: VW-126-D2U**

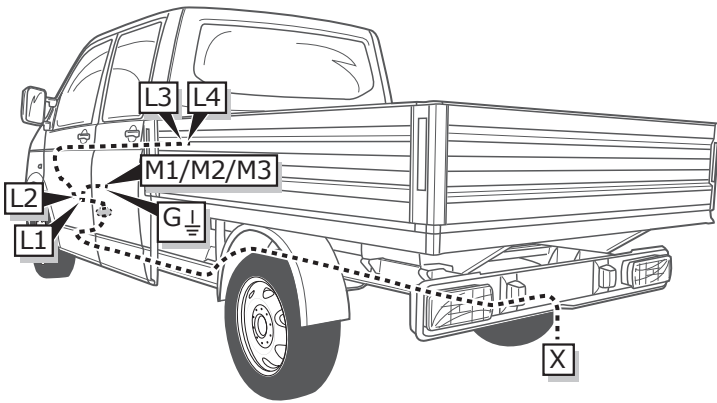
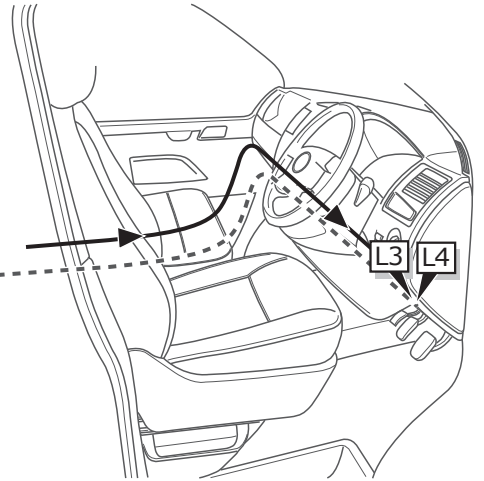
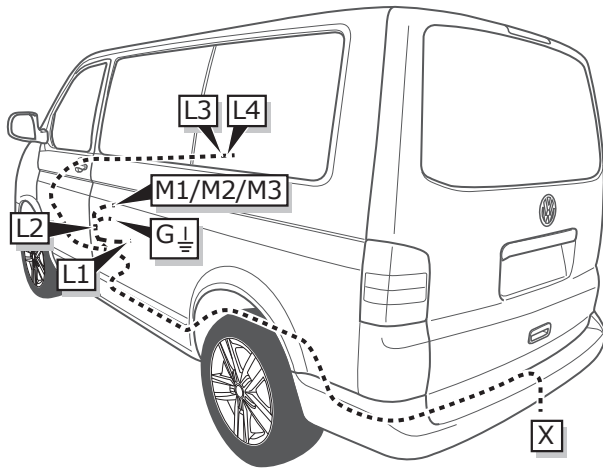
- Fitting instructions electric wiring kit tow bar with 13-P socket up to DIN/ISO Norm 11446.
- We would expressly point out that assembly not carried out properly by a competent installer will result in cancellation of any right to damage compensation, in particular those arising by virtue of the product liability act.
- Contents of these kits and their fitting manuals are subject to alteration without notice, please ensure that these instructions are read and fully understood before commencing installation.
- Do not overload circuits; the maximum loads per connection are detailed in this manual.
- Attention! Before Installation, please read this manual carefully and inform your customer to consult the vehicle owners manual to check for any vehicle modifications required before towing.
- In the event of functional problems, troubleshooting must be limited to about 0.5 hours, contact the technical support:  
[t.skinner@ecs-electronics.com](mailto:t.skinner@ecs-electronics.com) / 07440 202 052.



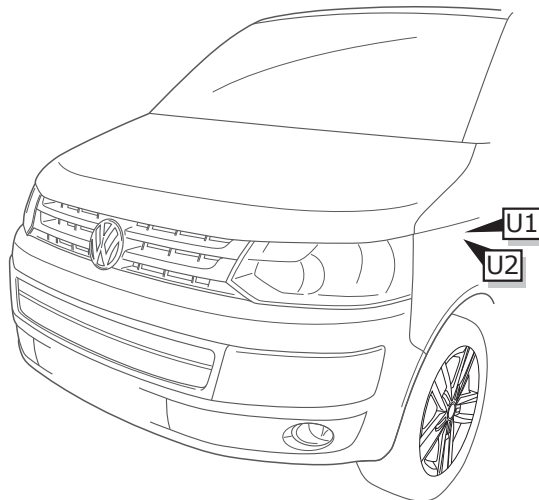
# Part list



**ROUTING**

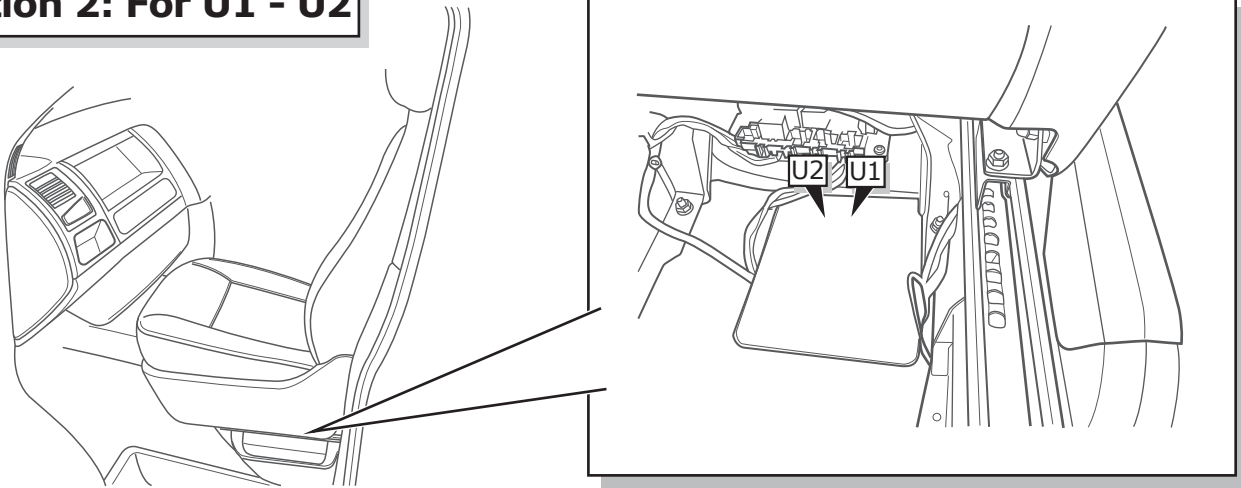


**Option 1: For U1 - U2**



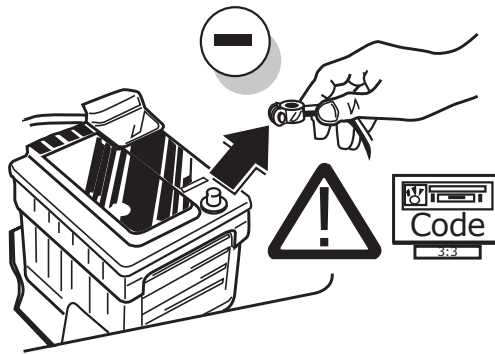
**ROUTING**

**Option 2: For U1 - U2**

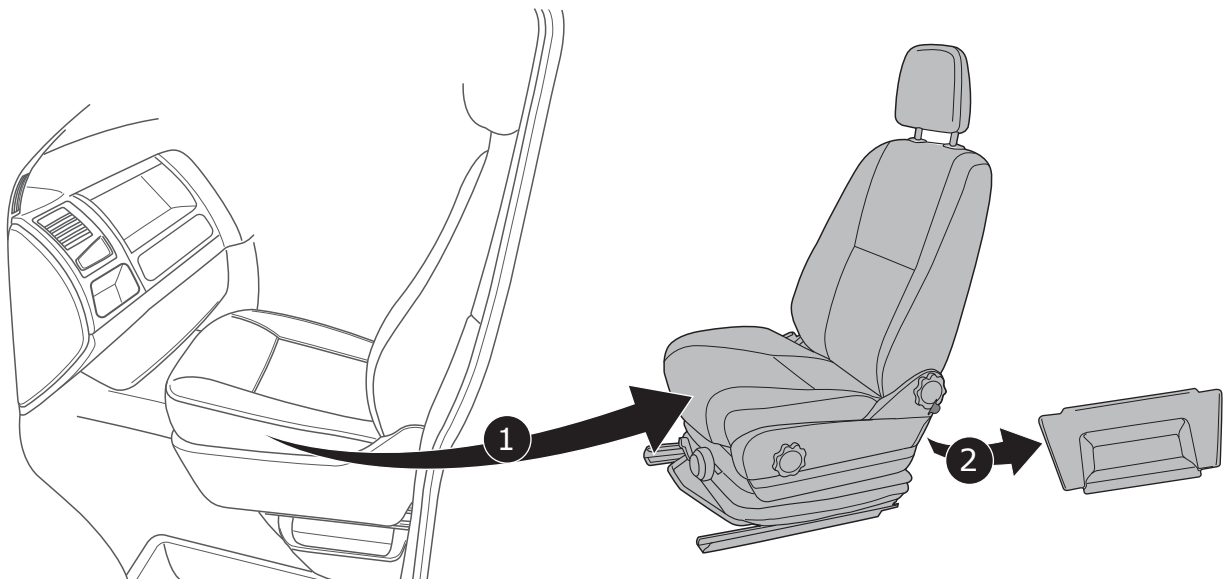


**All Models**

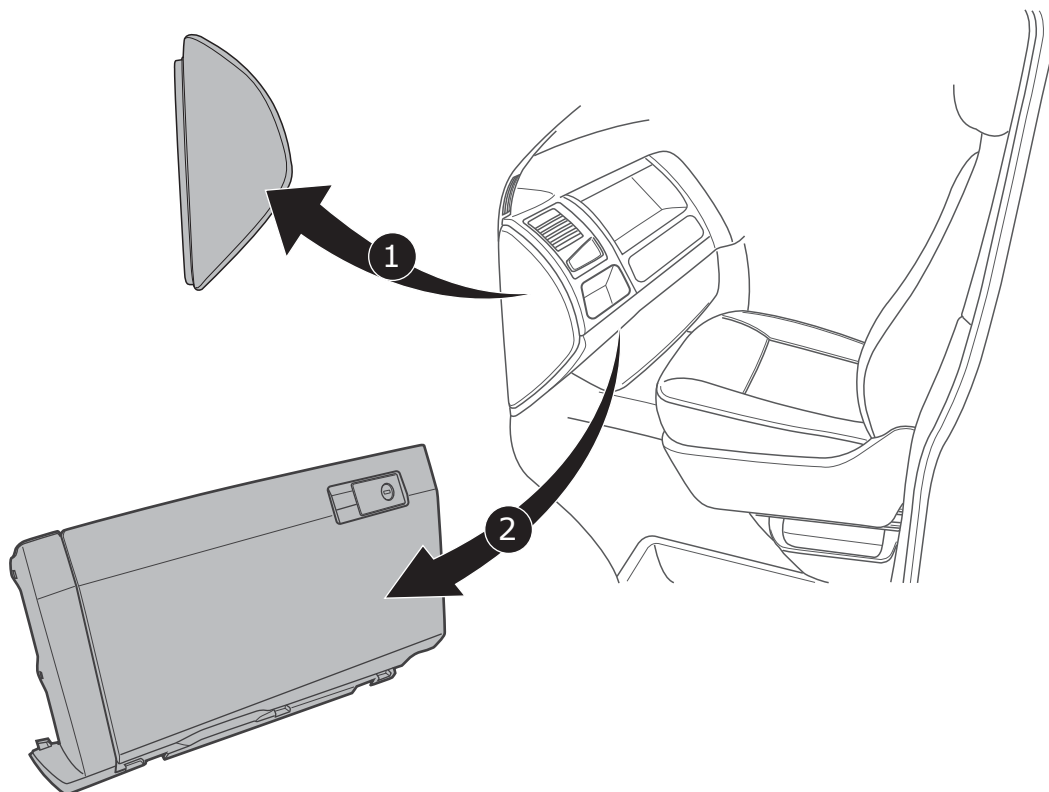
1



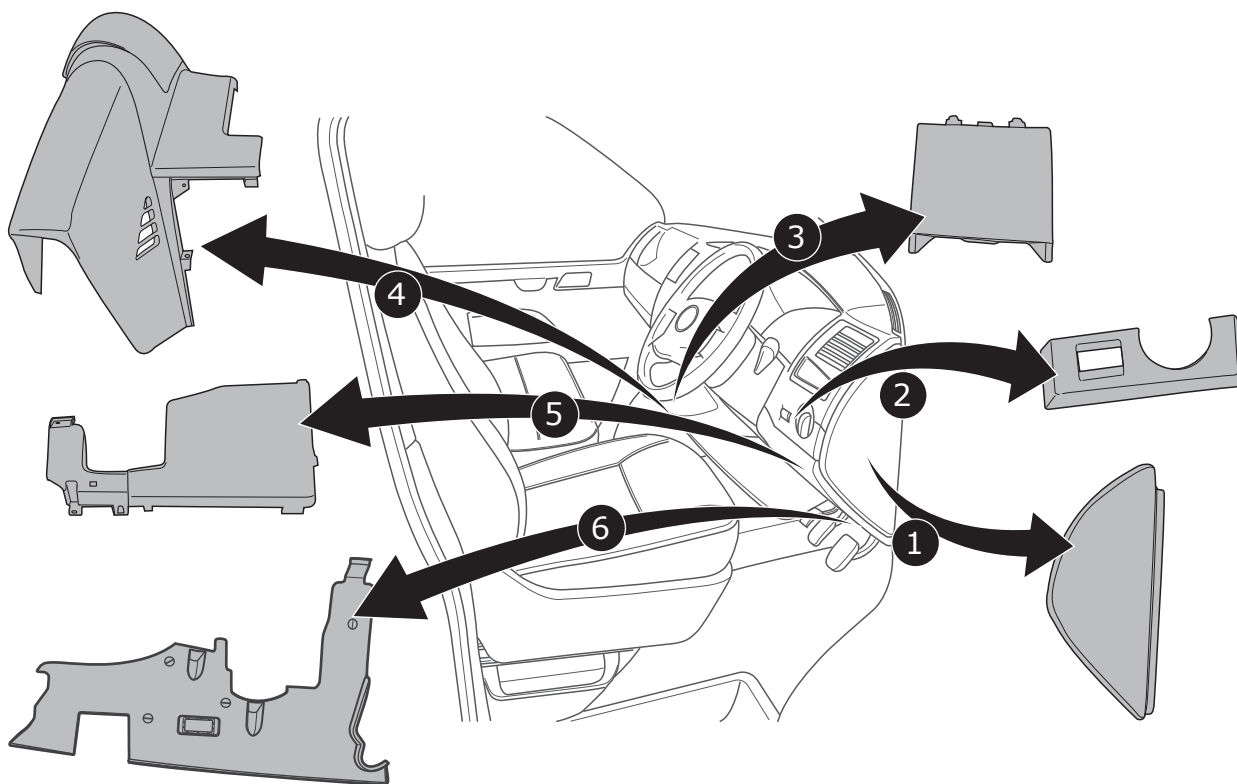
2



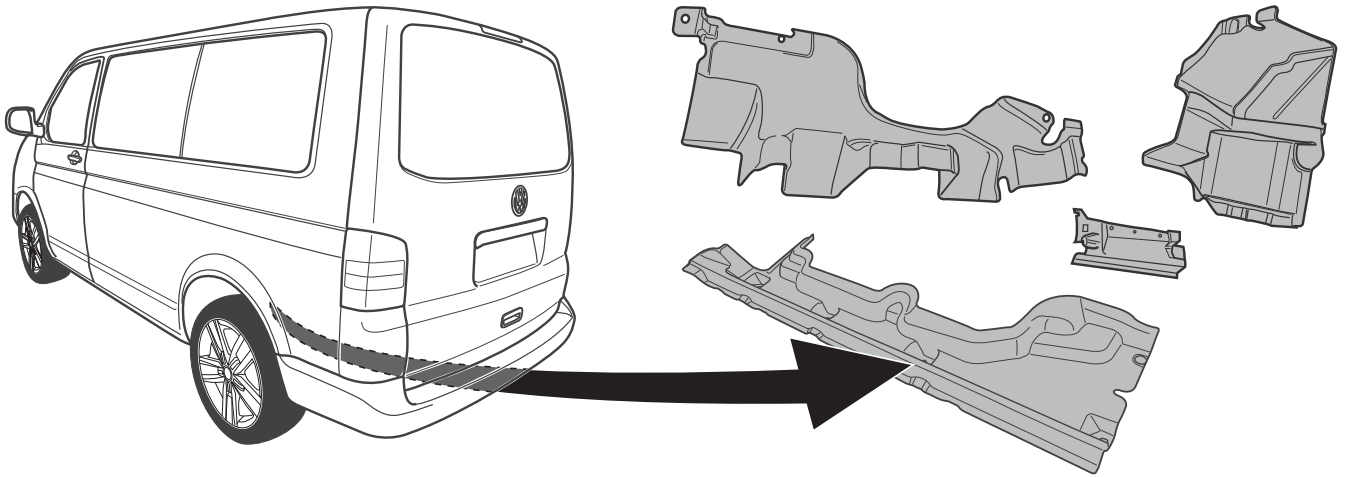
3



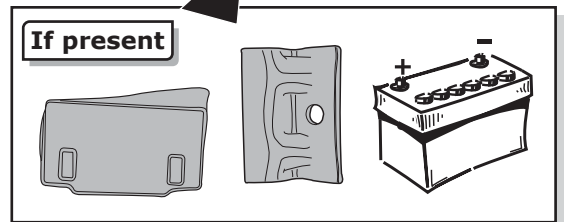
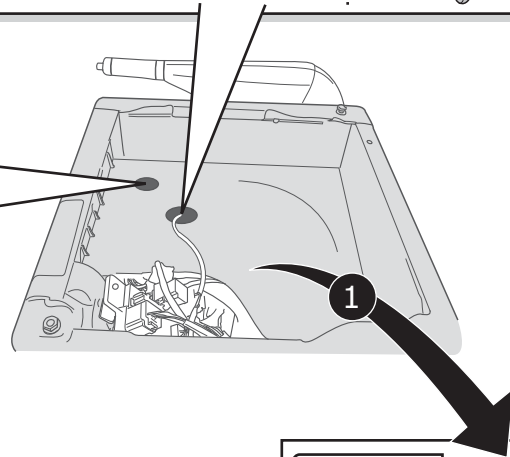
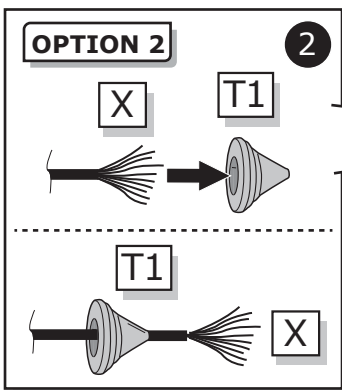
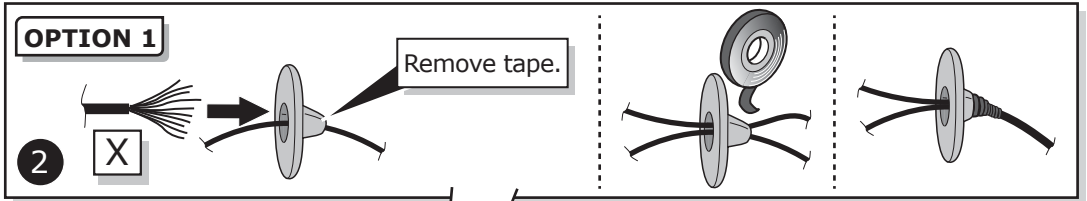
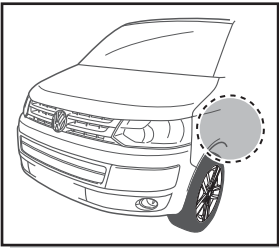
4



5



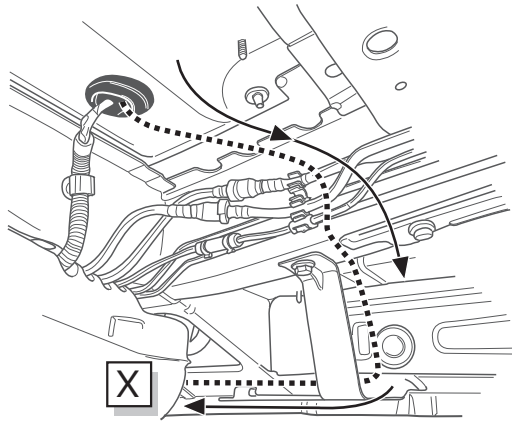
6



7

T5 & T5 Pickup

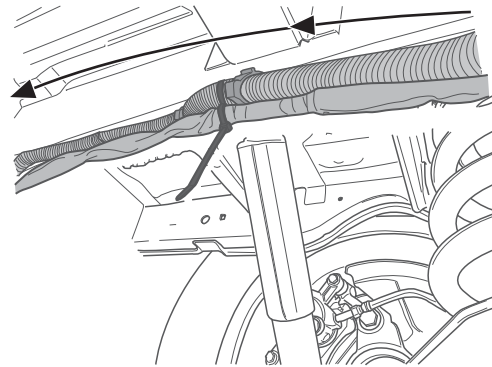
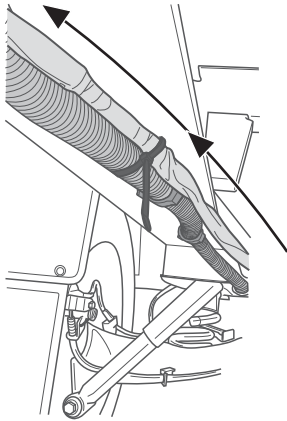
T6 & T6 Pickup



8

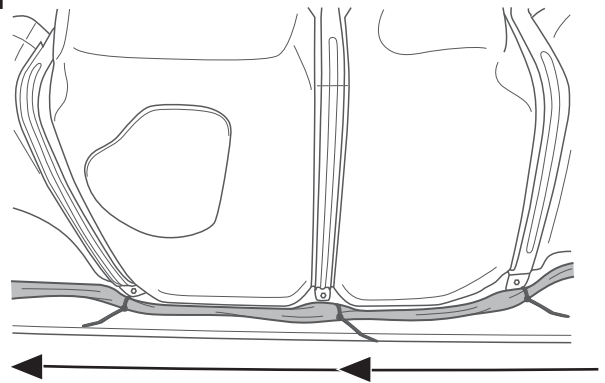
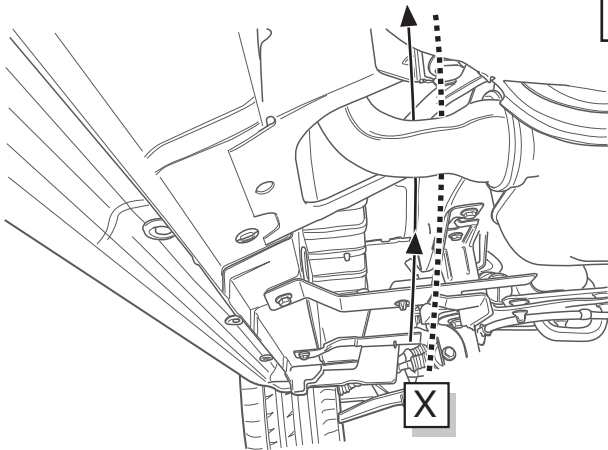
T5 Pickup

T6 Pickup



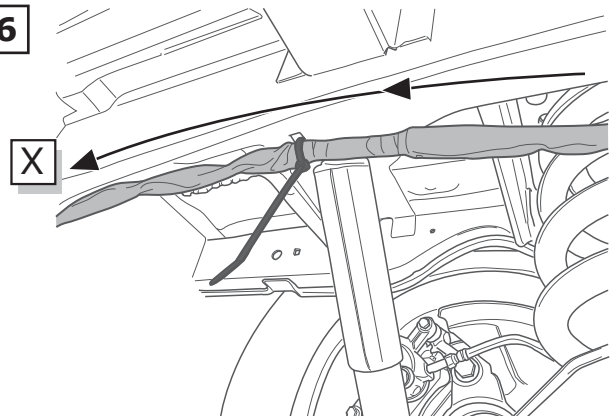
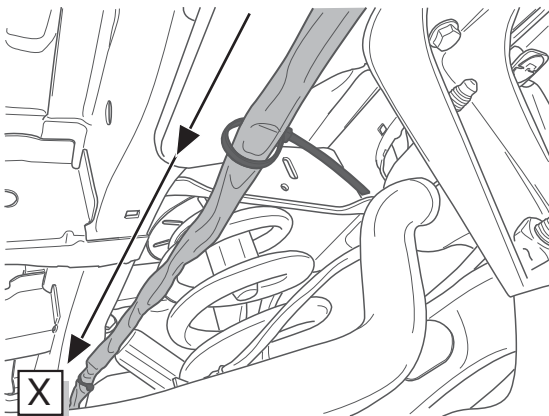
9

T5/ T6

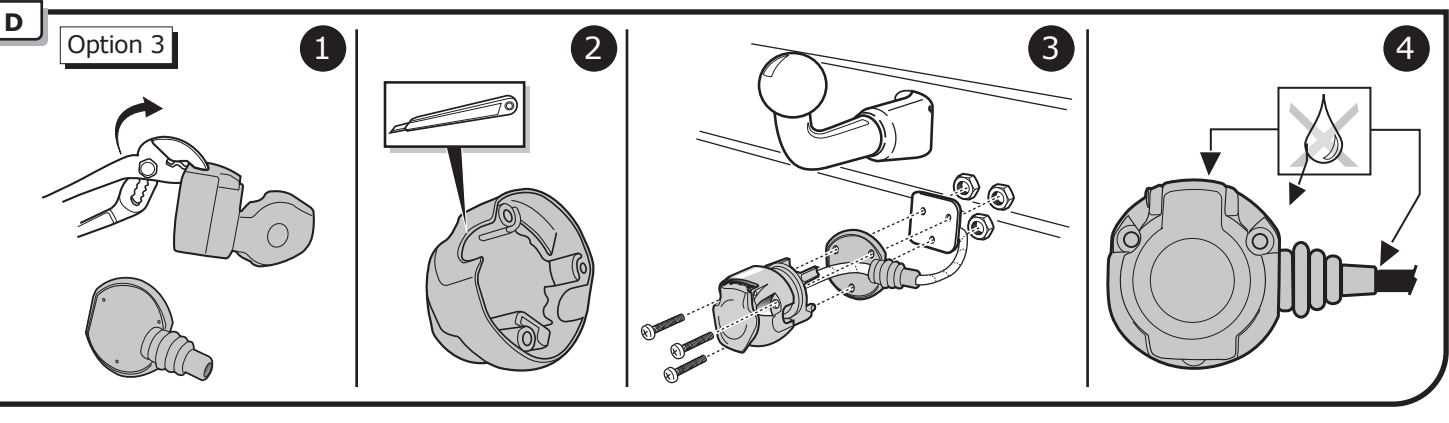
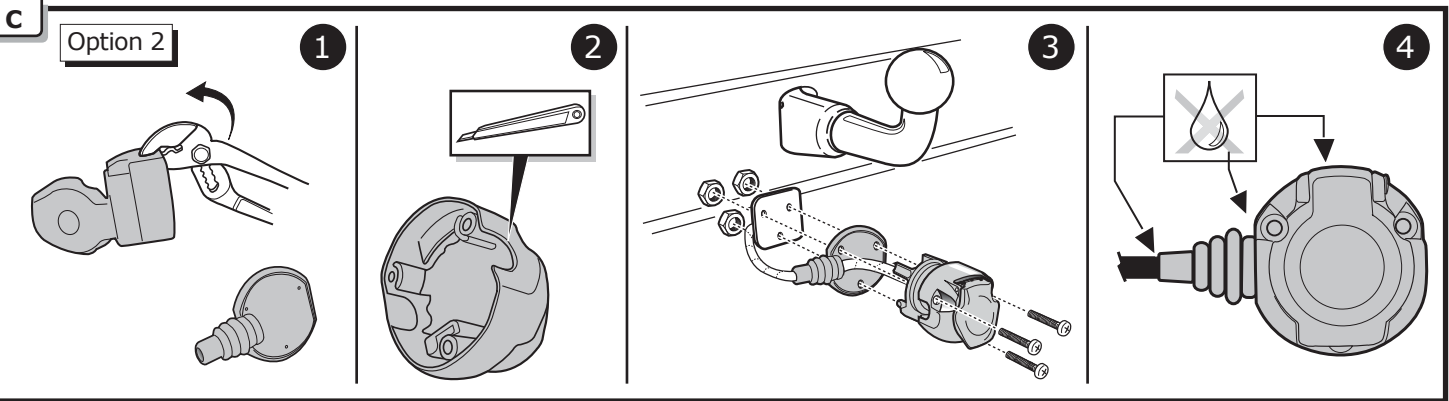
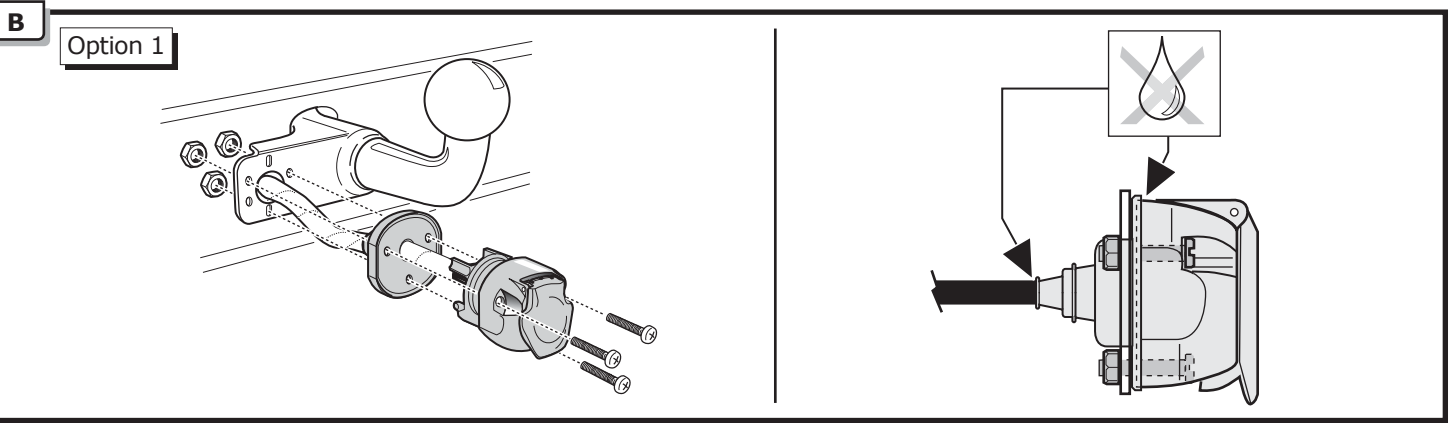
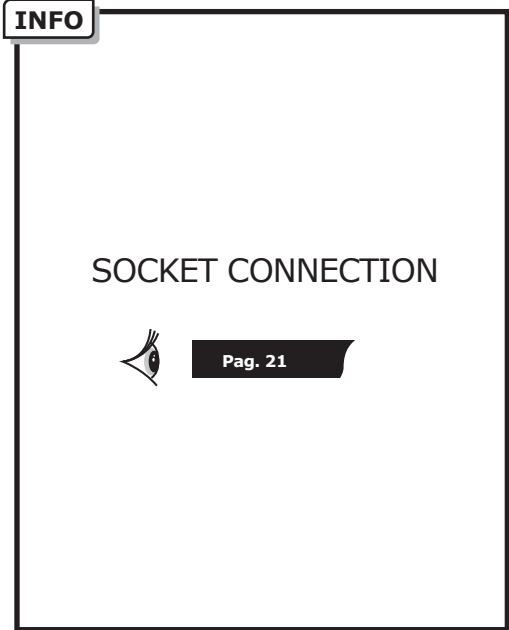
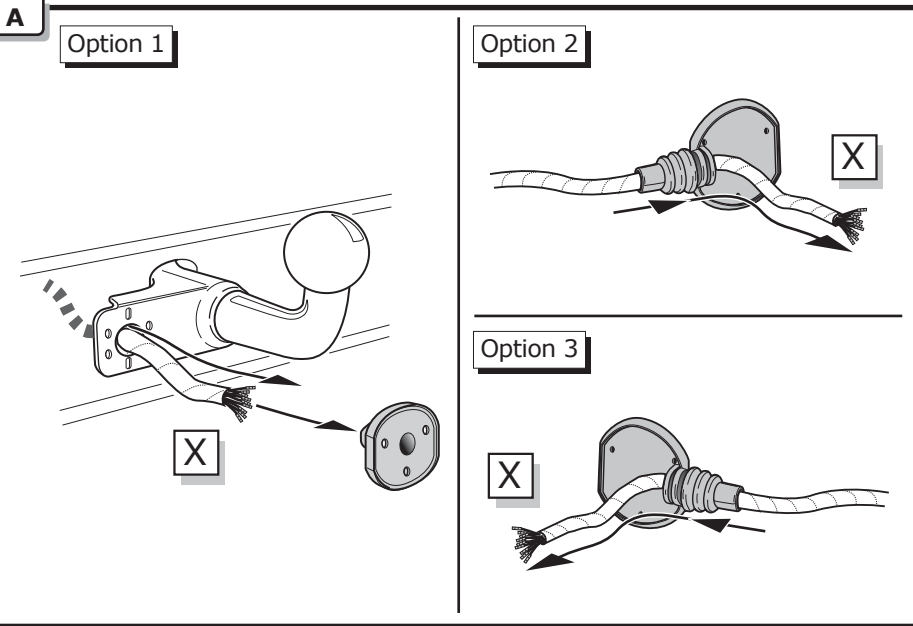


10

T5/ T6

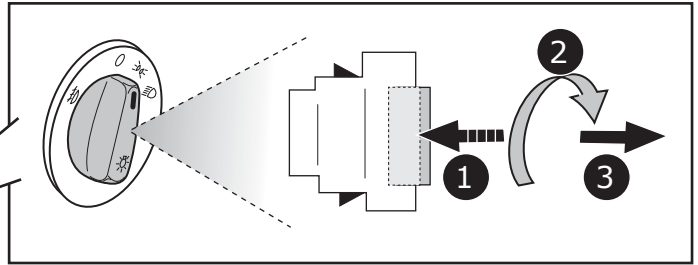
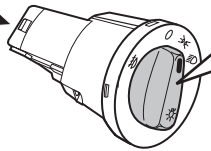
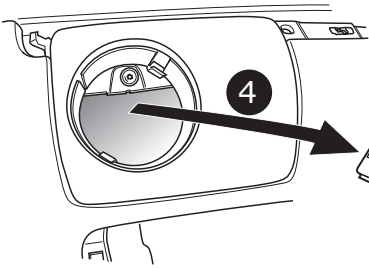
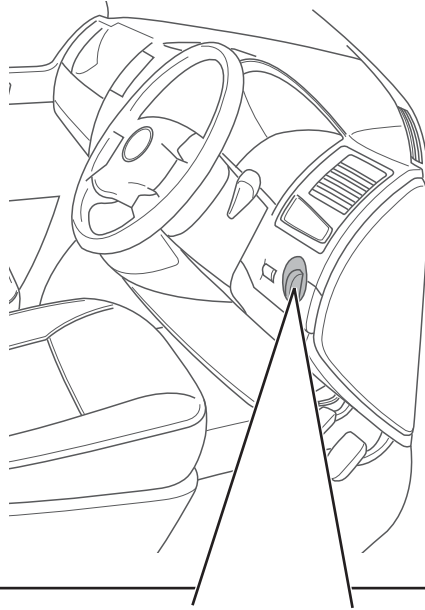






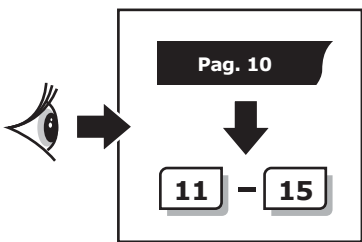
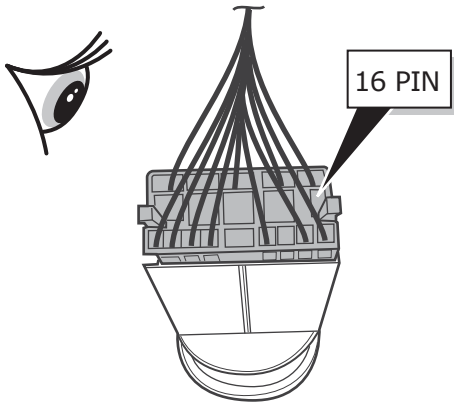


INFO



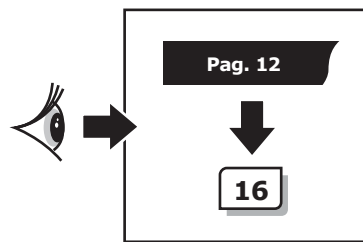
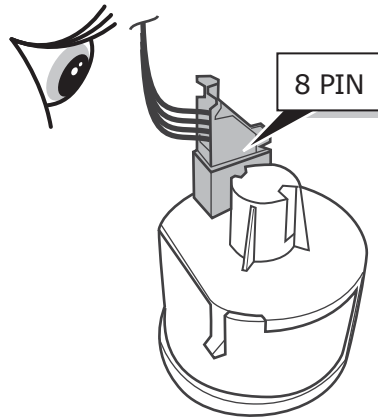
Option 1

T5 & T5 Pickup

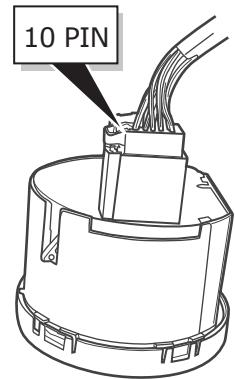


Option 2 CANBUS

T5 & T5 Pickup

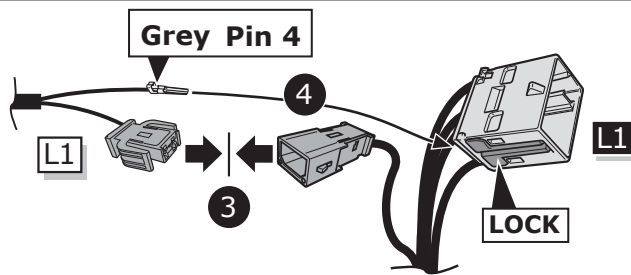
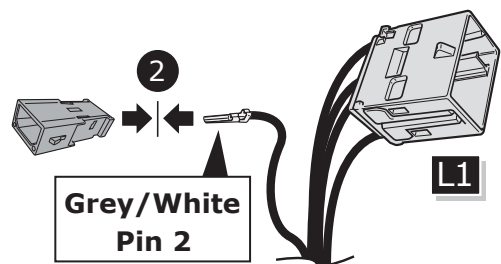
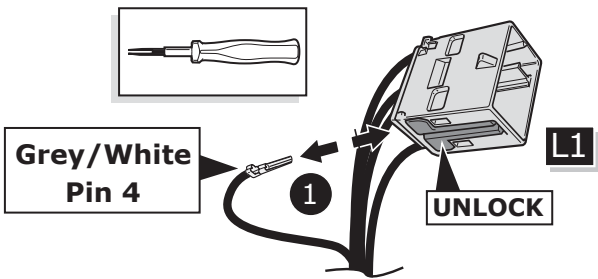
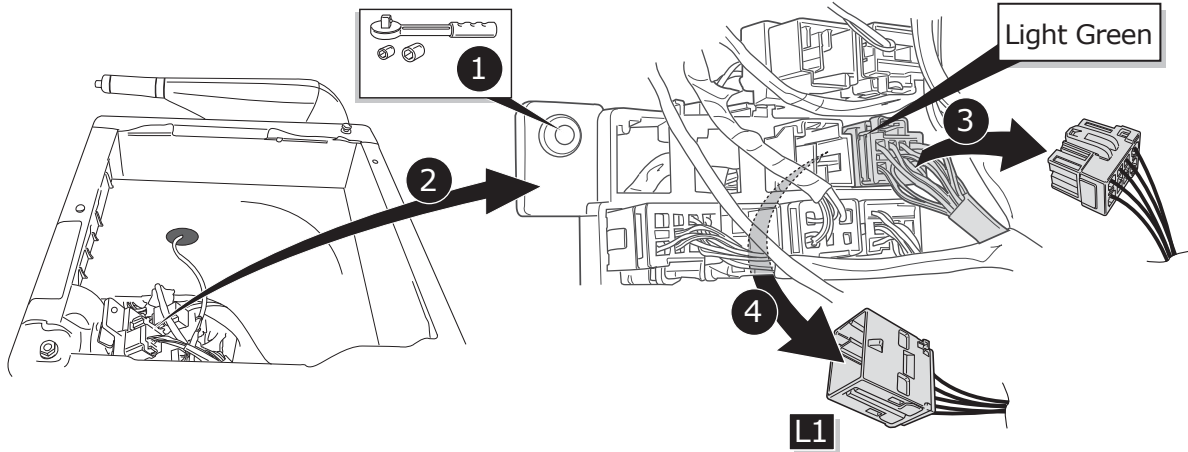
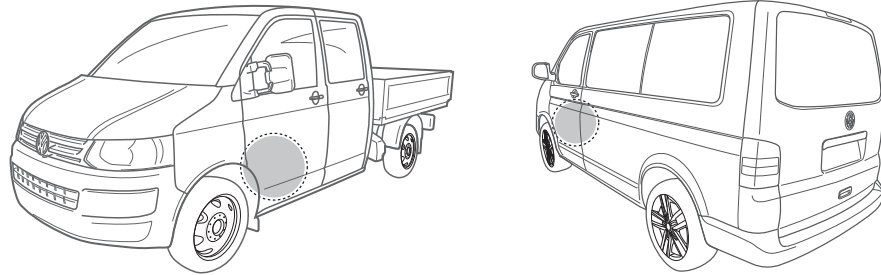


T6 & T6 Pickup

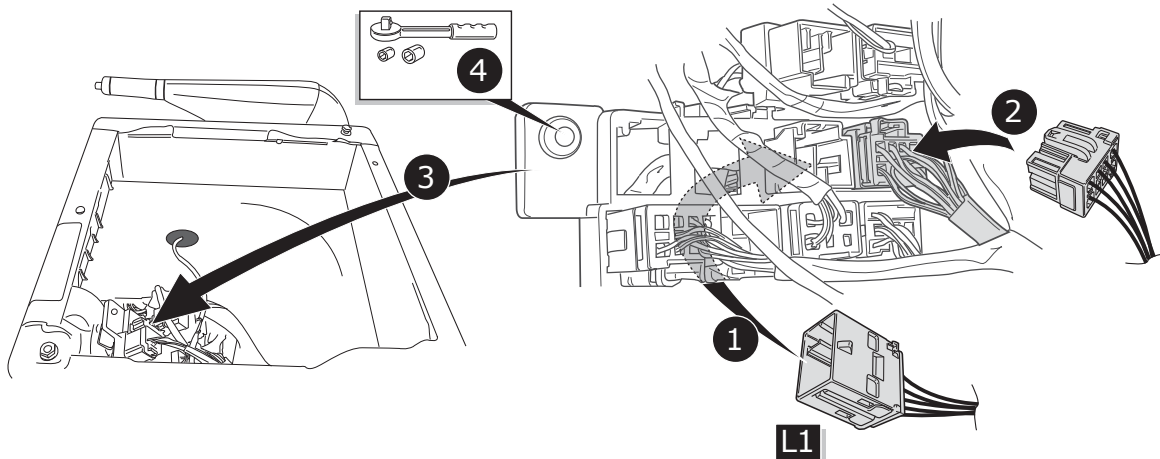


11

**Option 1**

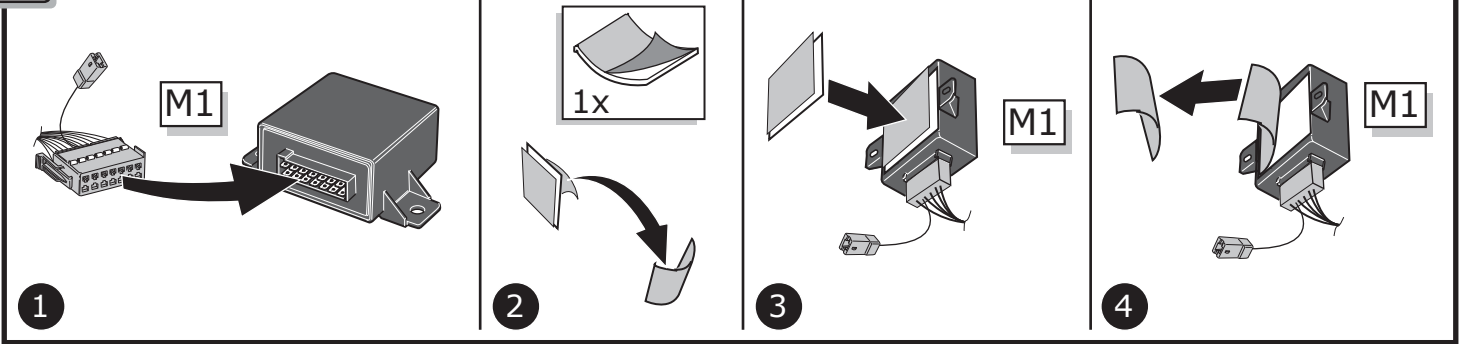


12

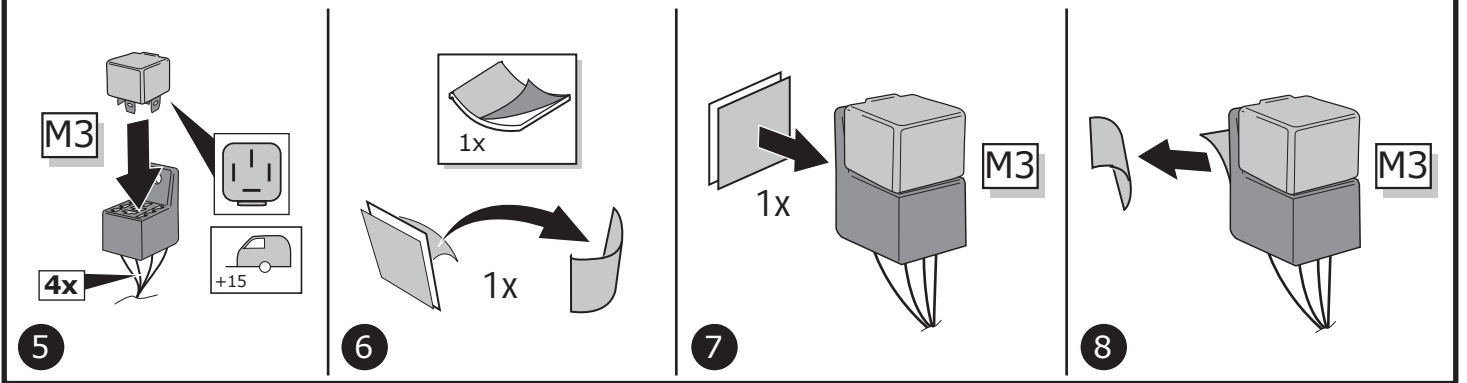
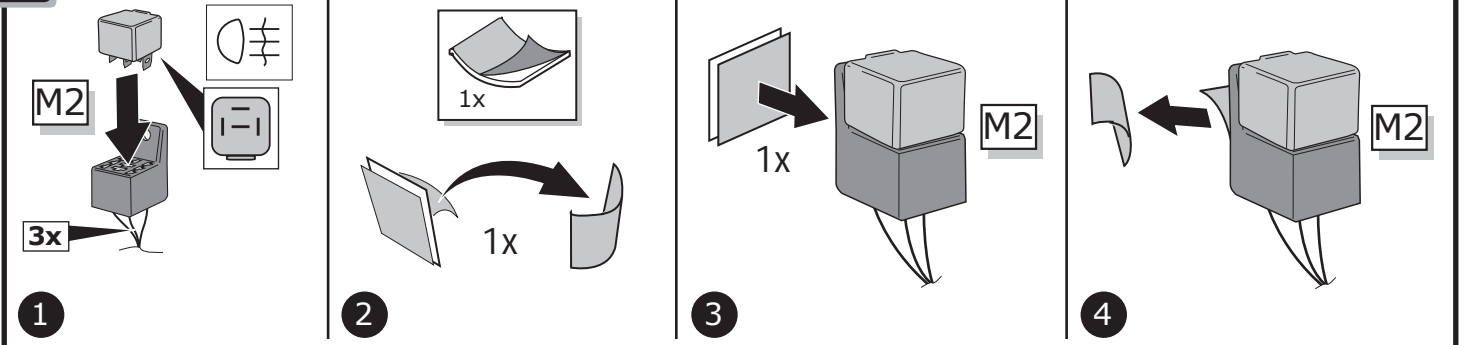


OPTION 1: fog lamp connection by rearlight

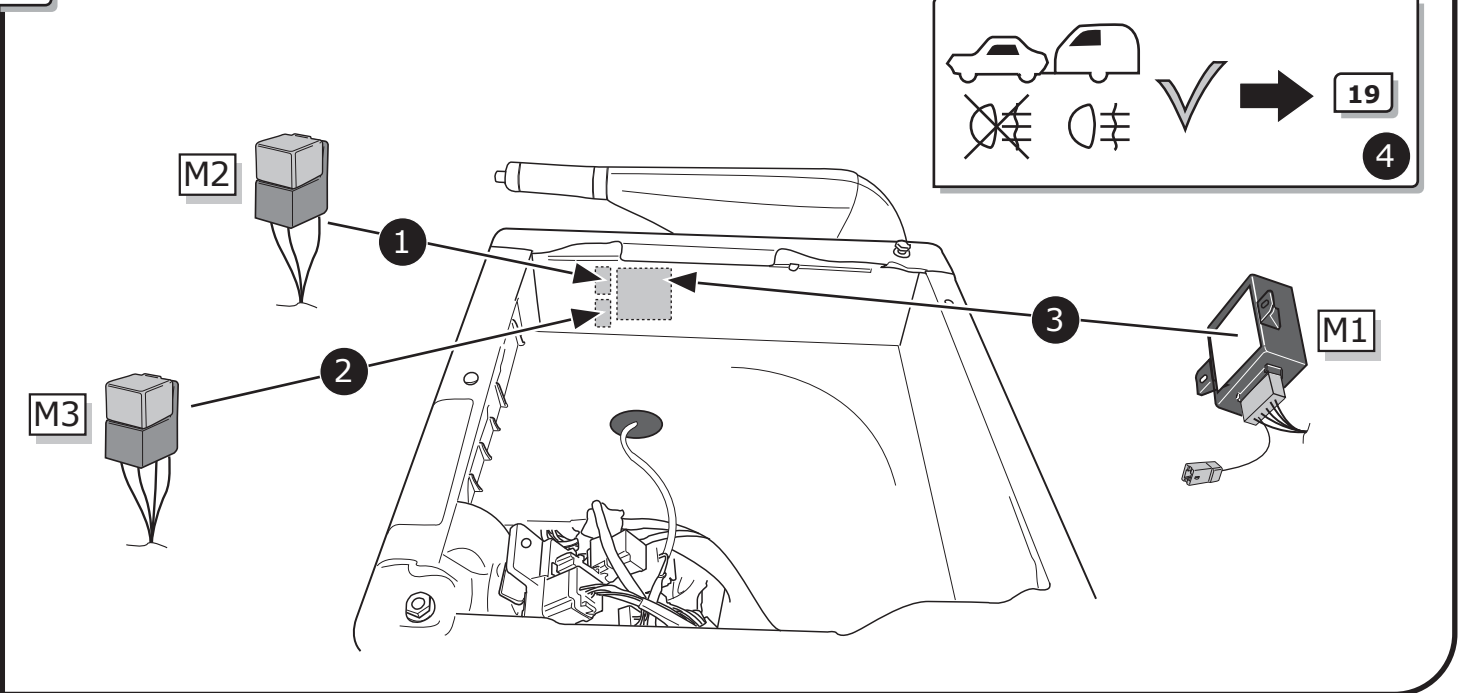
13



14

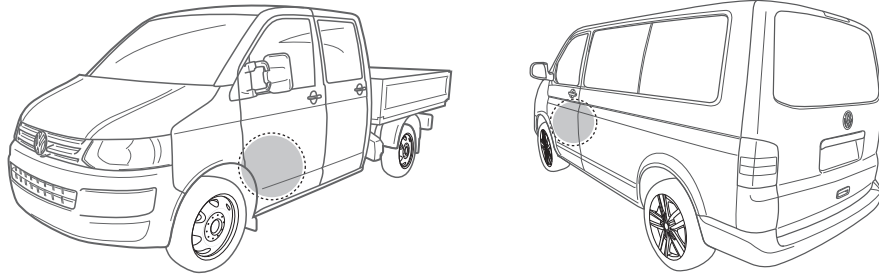


15

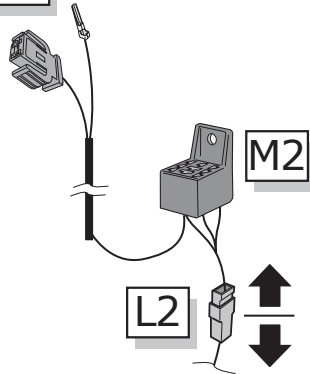


16

**Option 2**

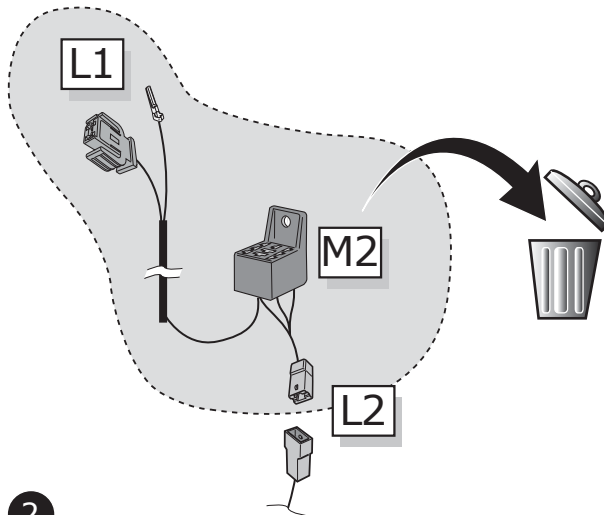


L1



1

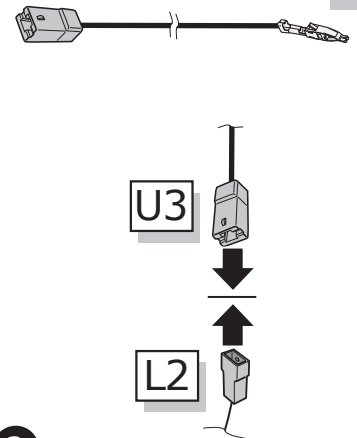
L1



2

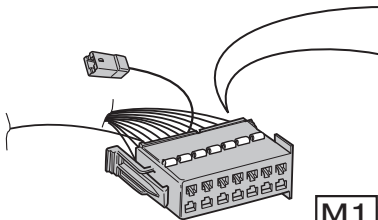
U3

U4

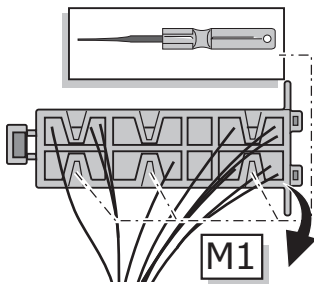


3

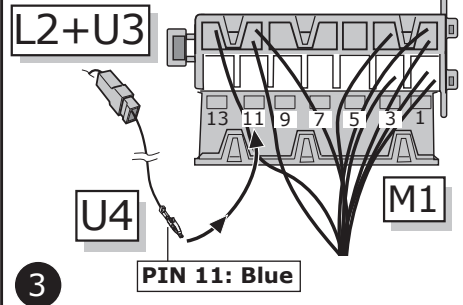
17



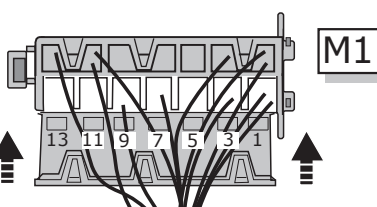
1



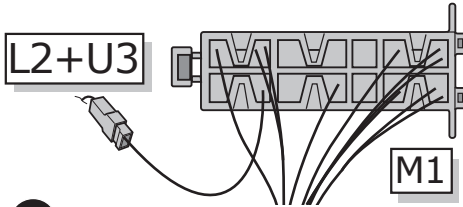
2



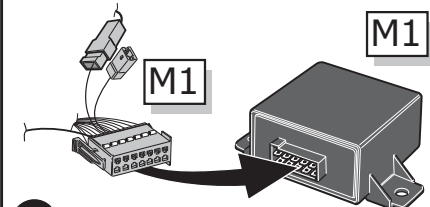
3



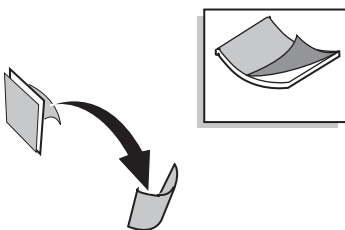
4



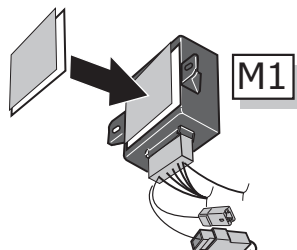
5



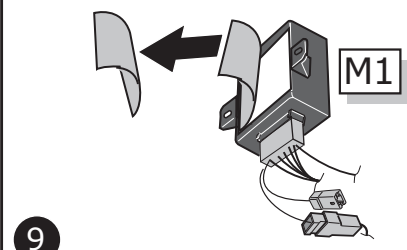
6



7



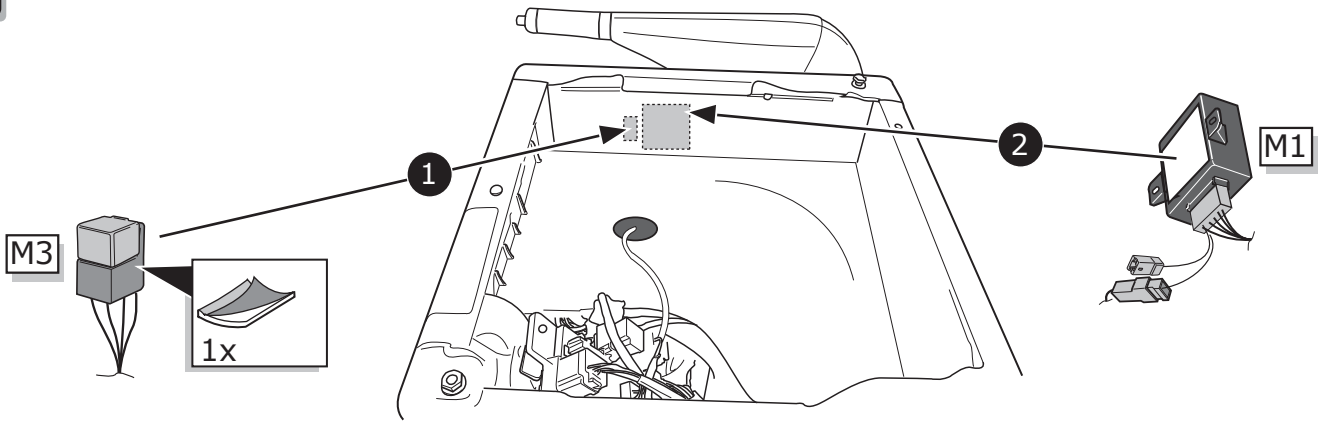
8



9

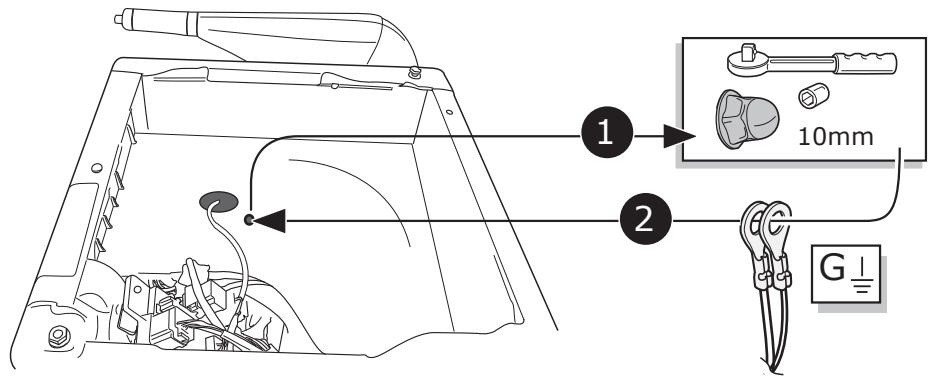
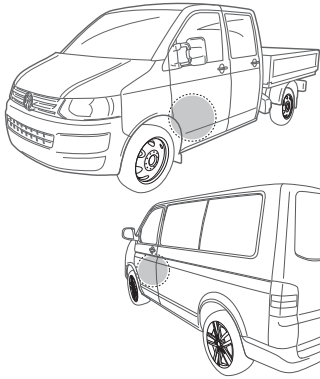
OPTION 2: fog lamp connection by CAN-bus

18

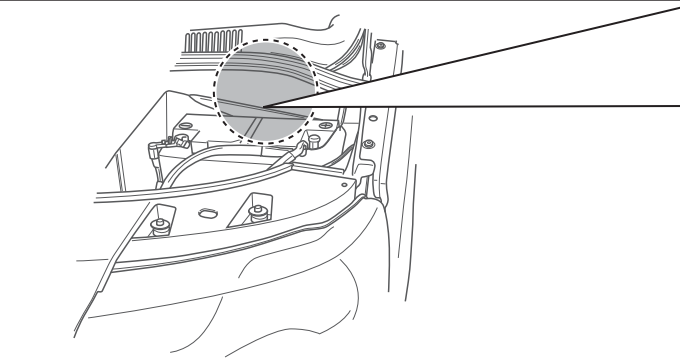
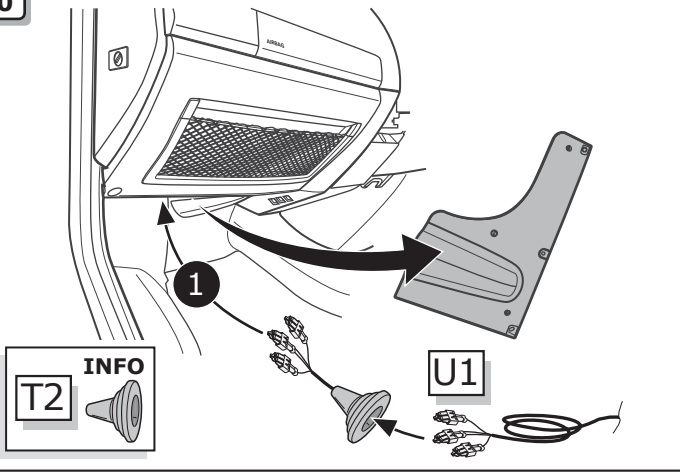


All models

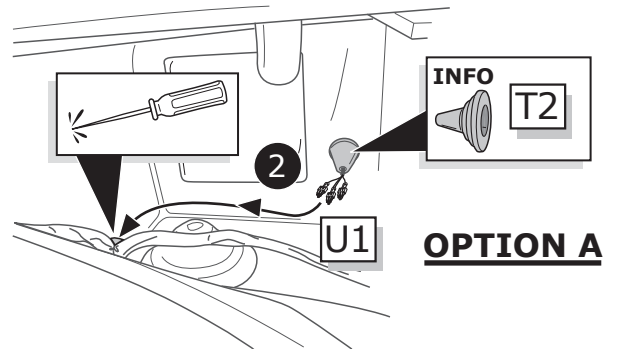
19



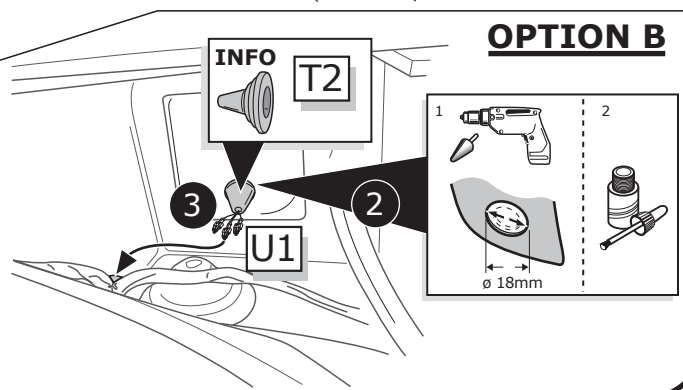
20



Option 1: For U1 - U2



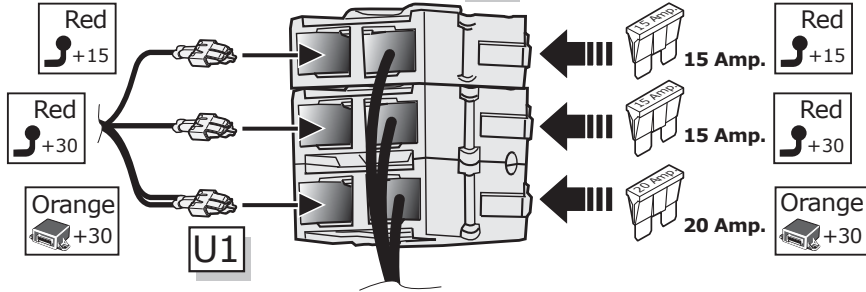
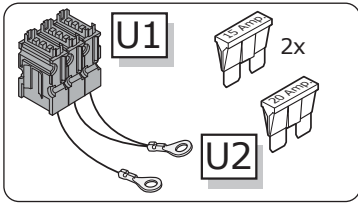
OPTION A



OPTION B

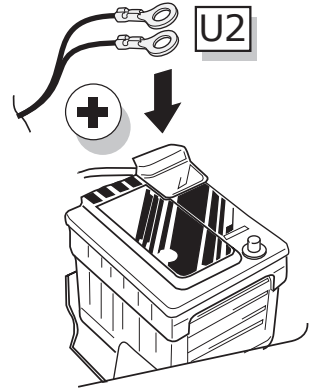
All models

21



1

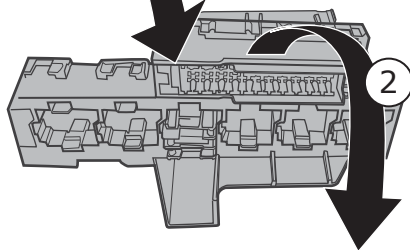
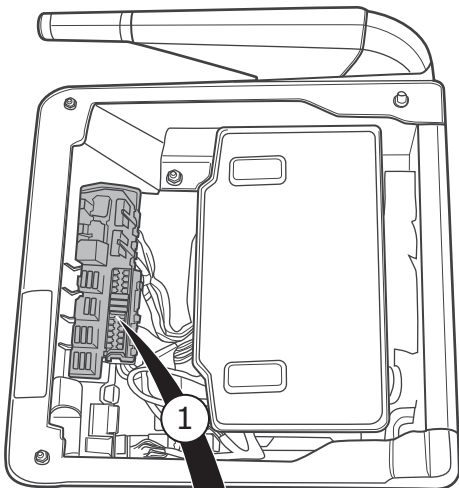
2



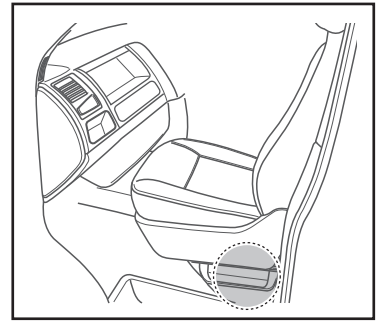
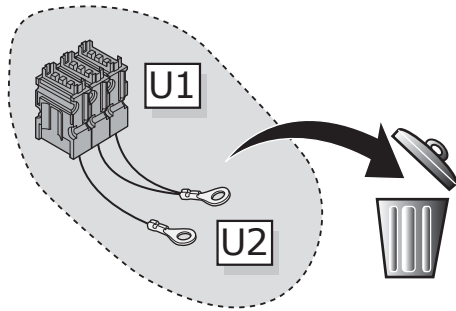
T5/ T5 Pickup

22

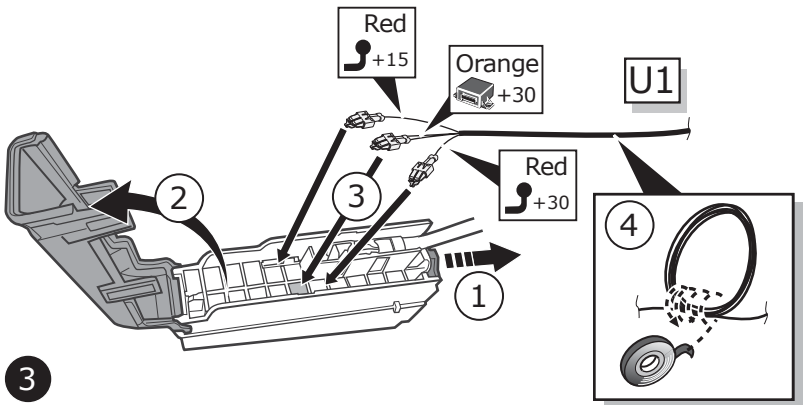
Option 2: For U1 - U2



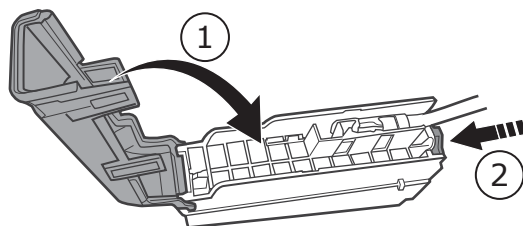
1



Choose any free position



3

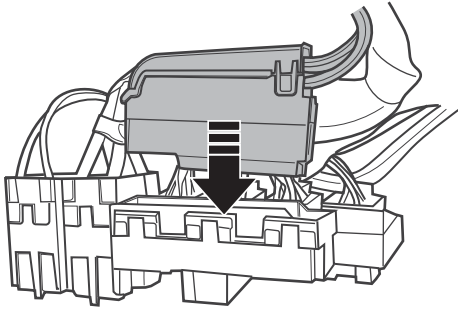


4

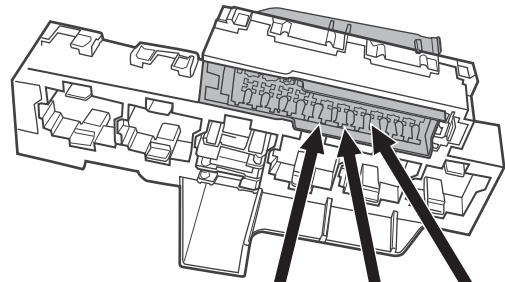


# T5/ T5 Pickup

23



1



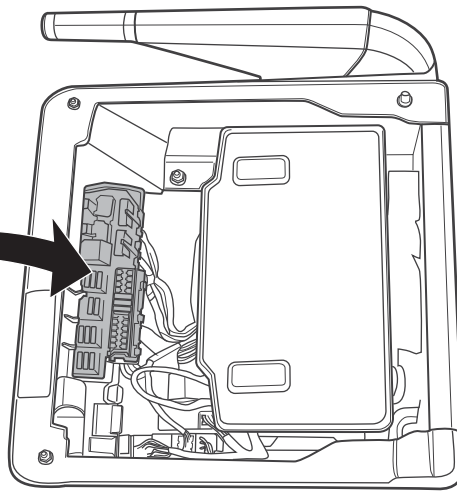
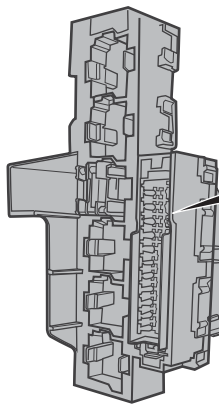
2

15 Amp.  
Red  
+15

20 Amp.  
Orange  
+30

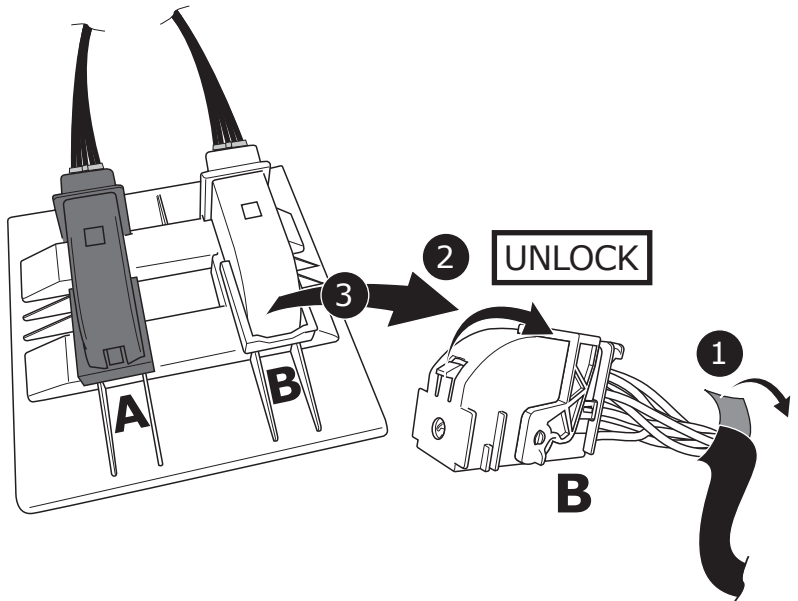
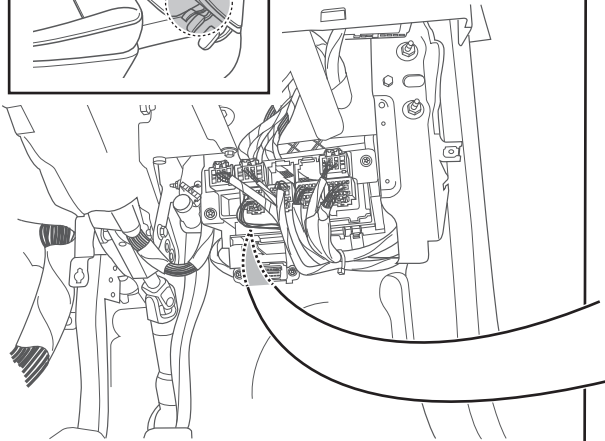
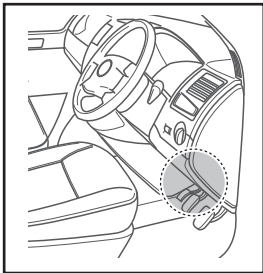
15 Amp.  
Red  
+30

3



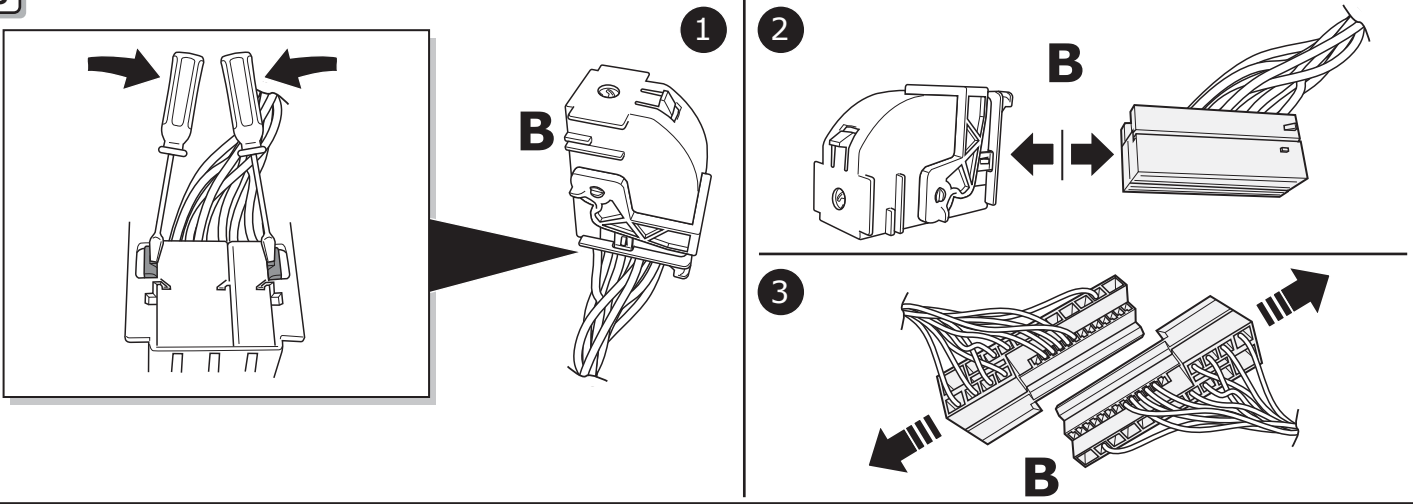
# All Models

24

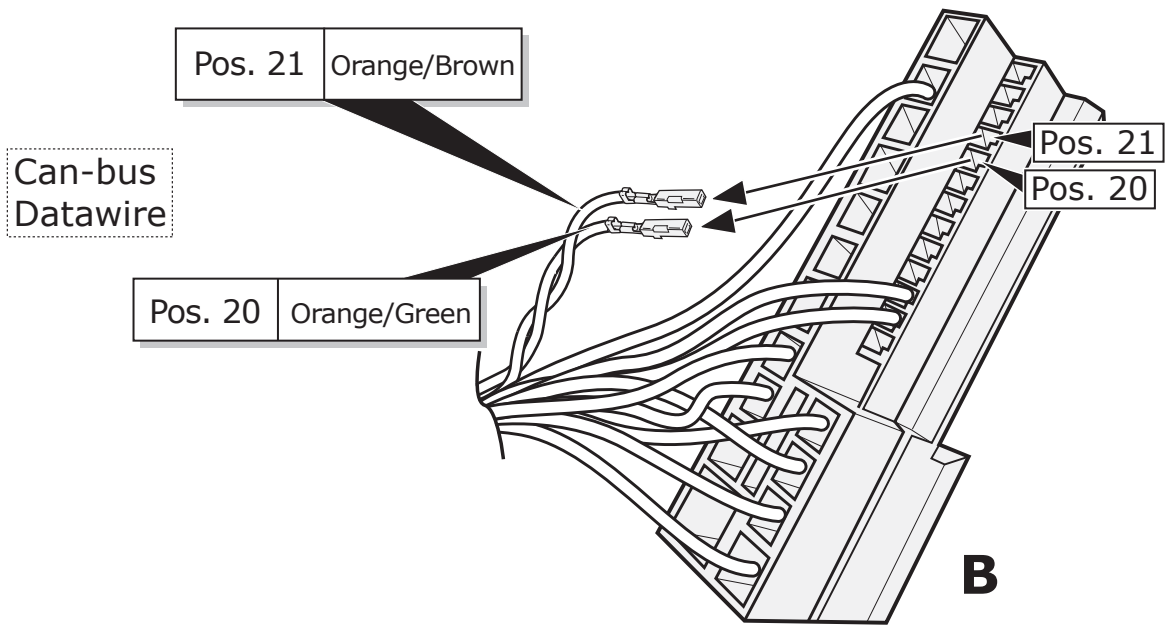




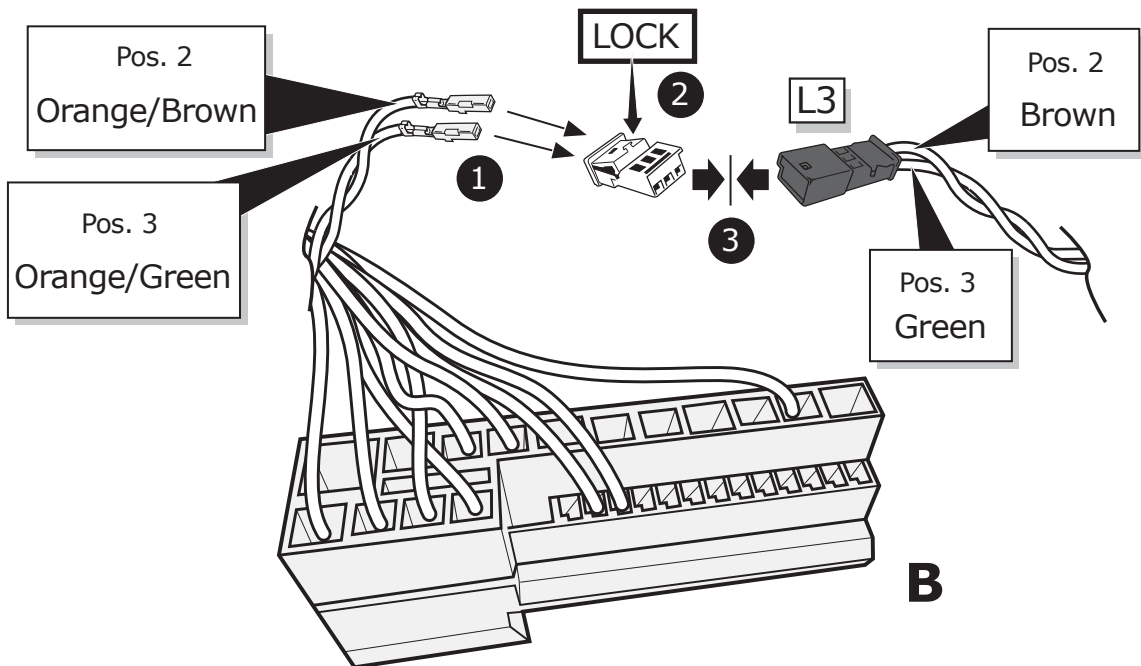
25



26



27



28

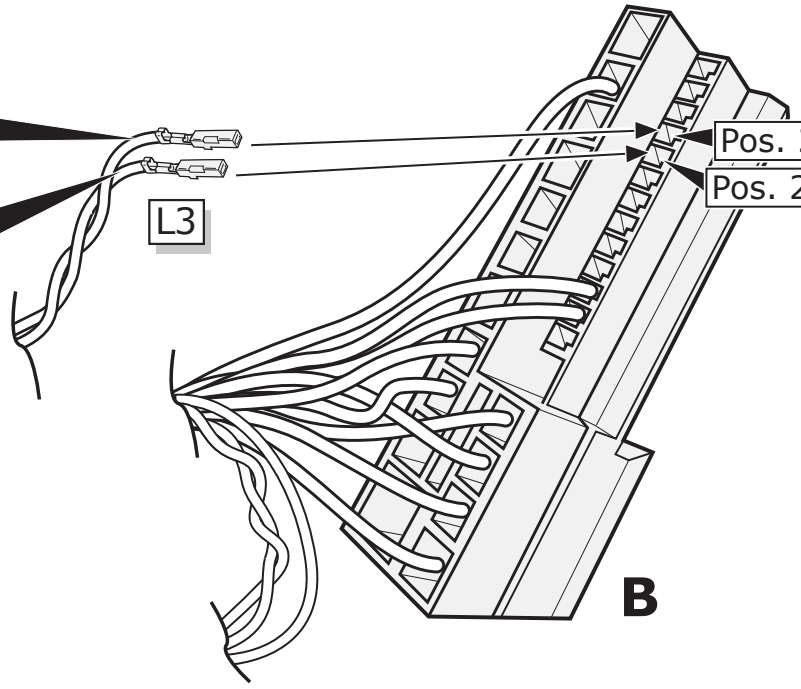
Can-bus  
Datawire

Pos. 21 Brown

Pos. 20 Green

L3

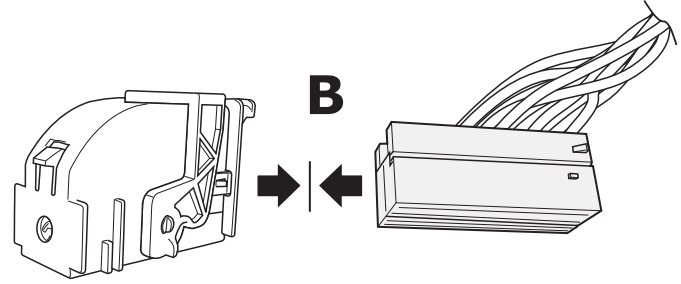
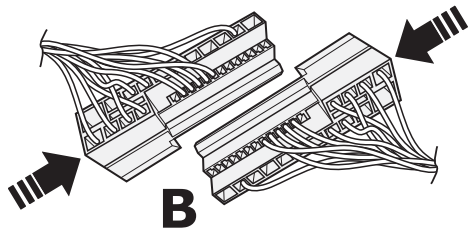
Pos. 21  
Pos. 20



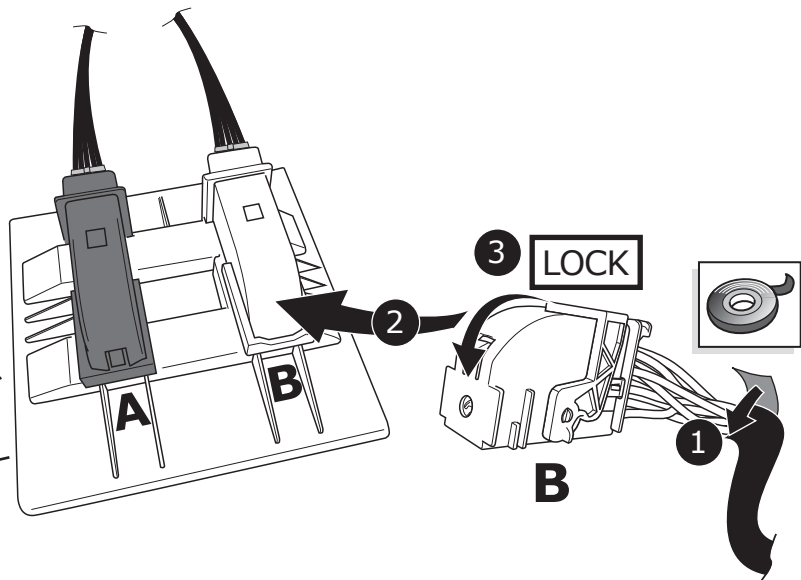
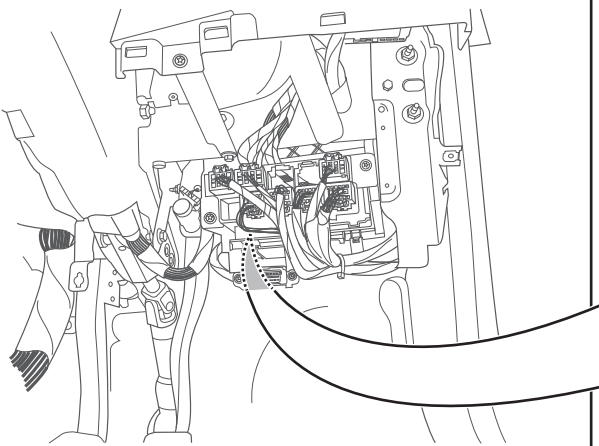
29

1

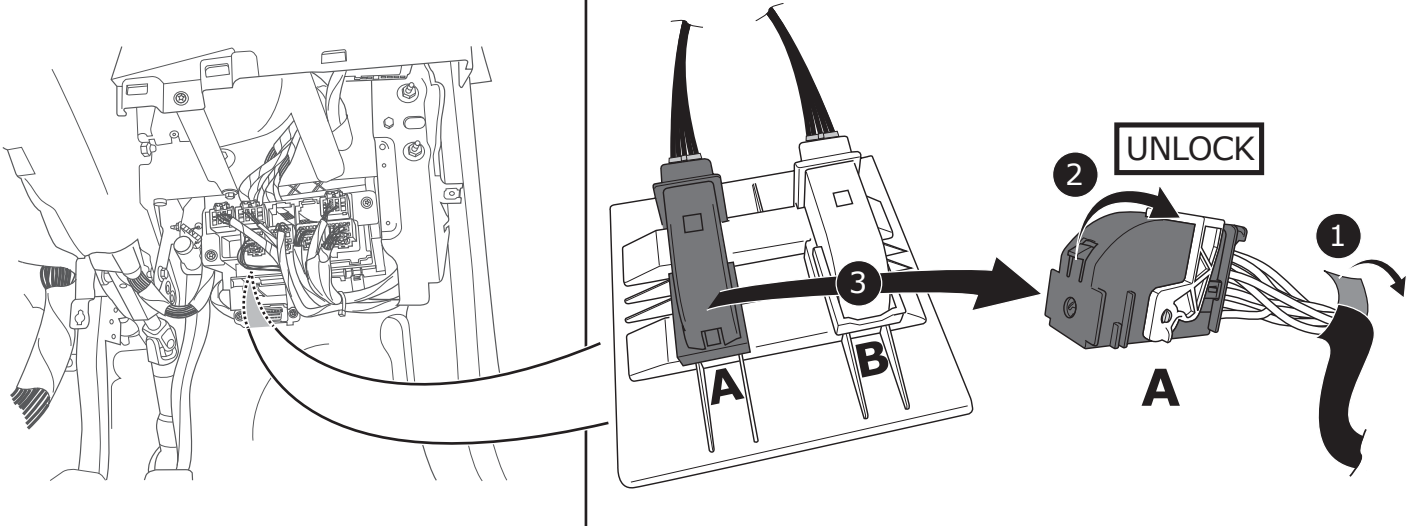
2



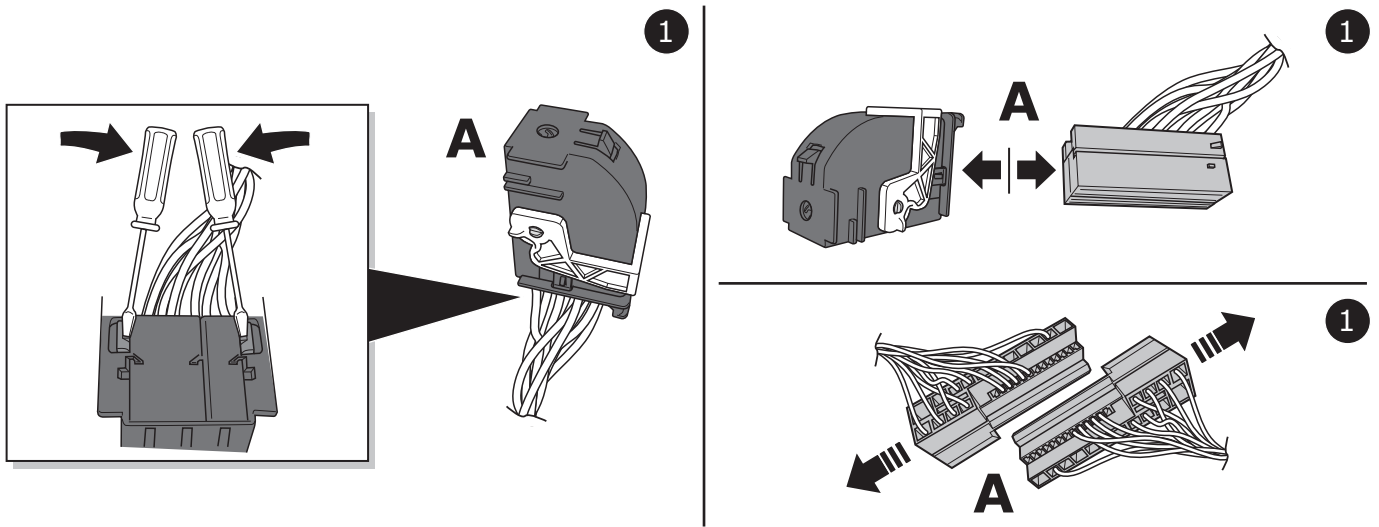
30



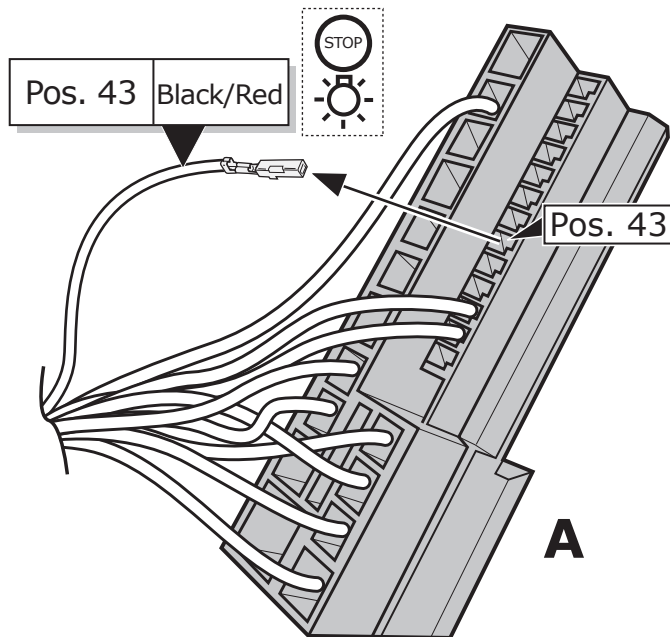
31



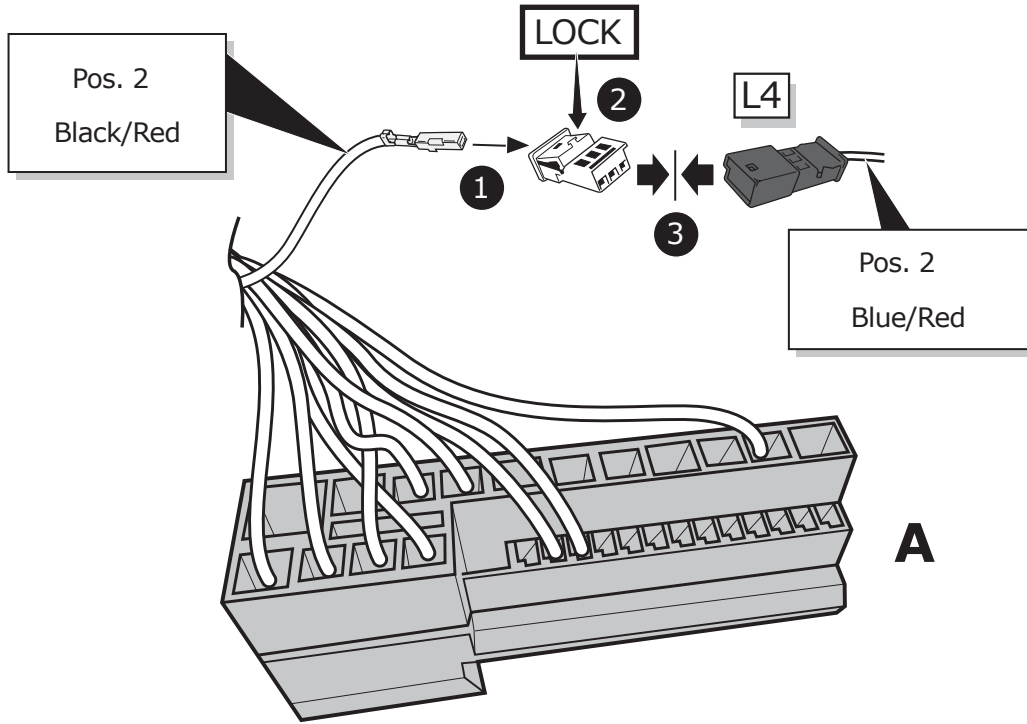
32



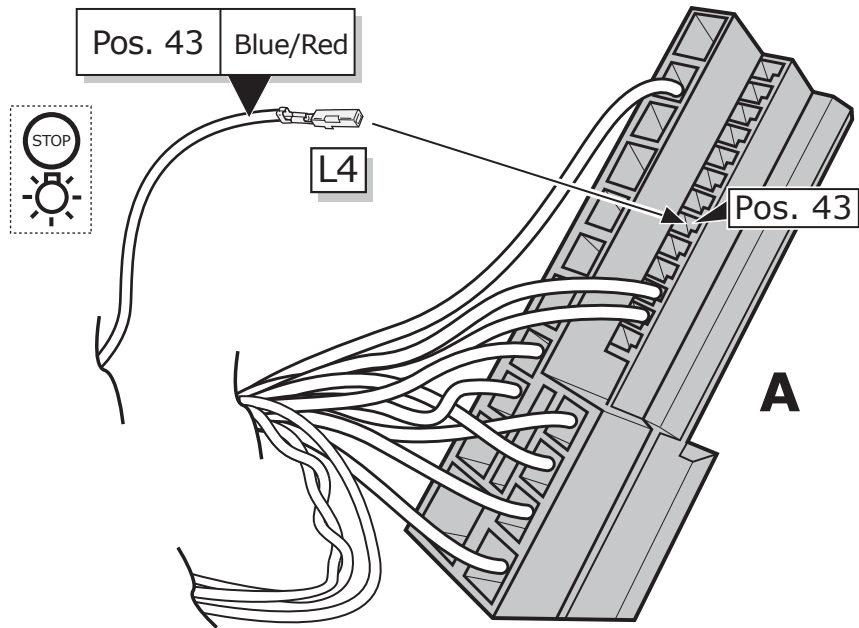
33



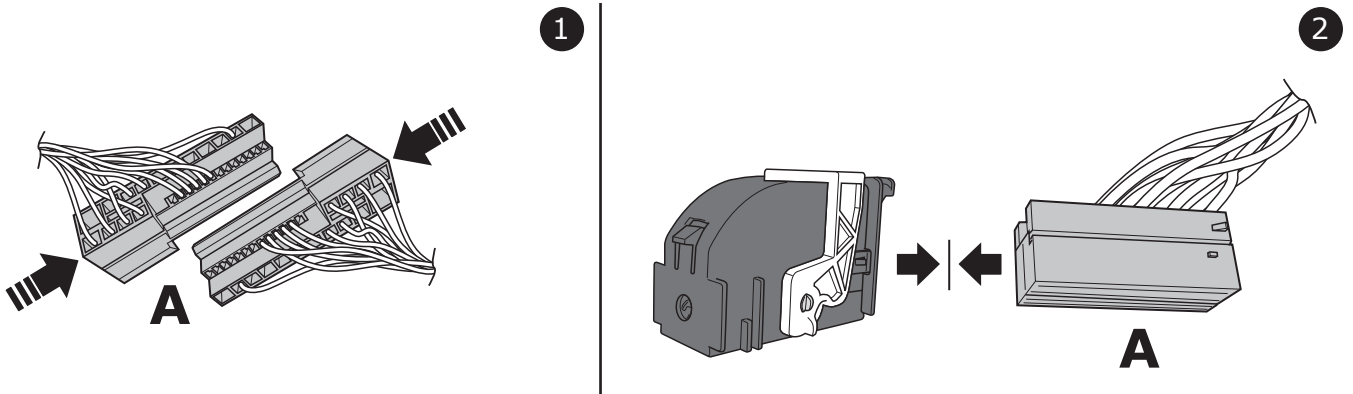
34



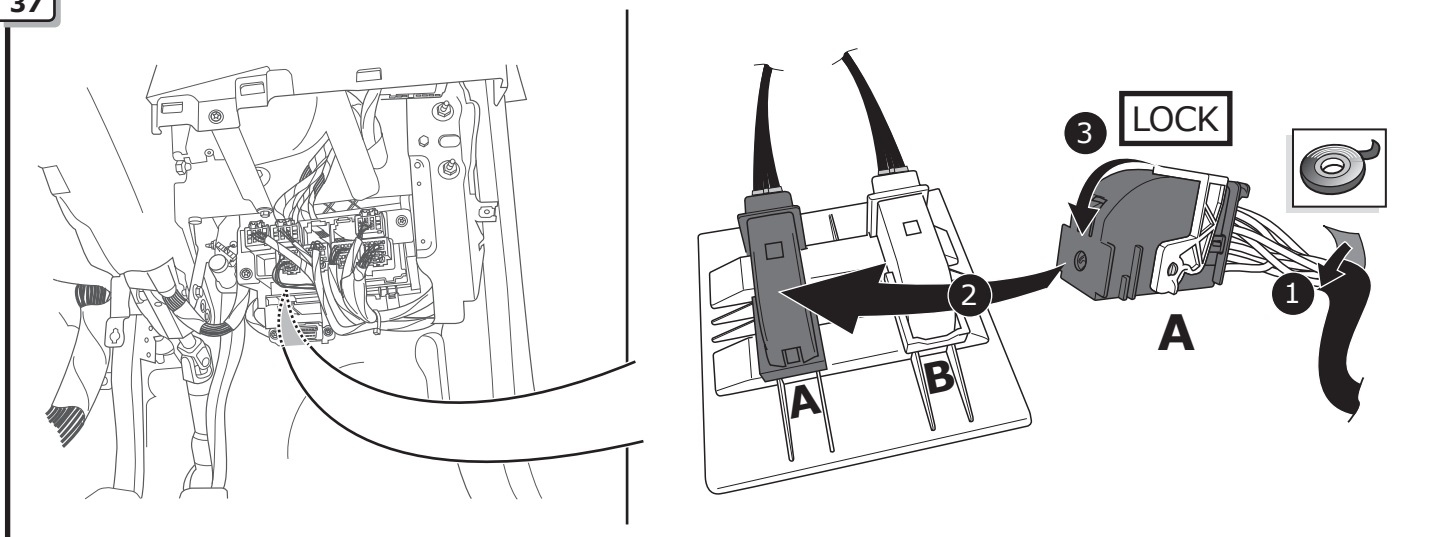
35



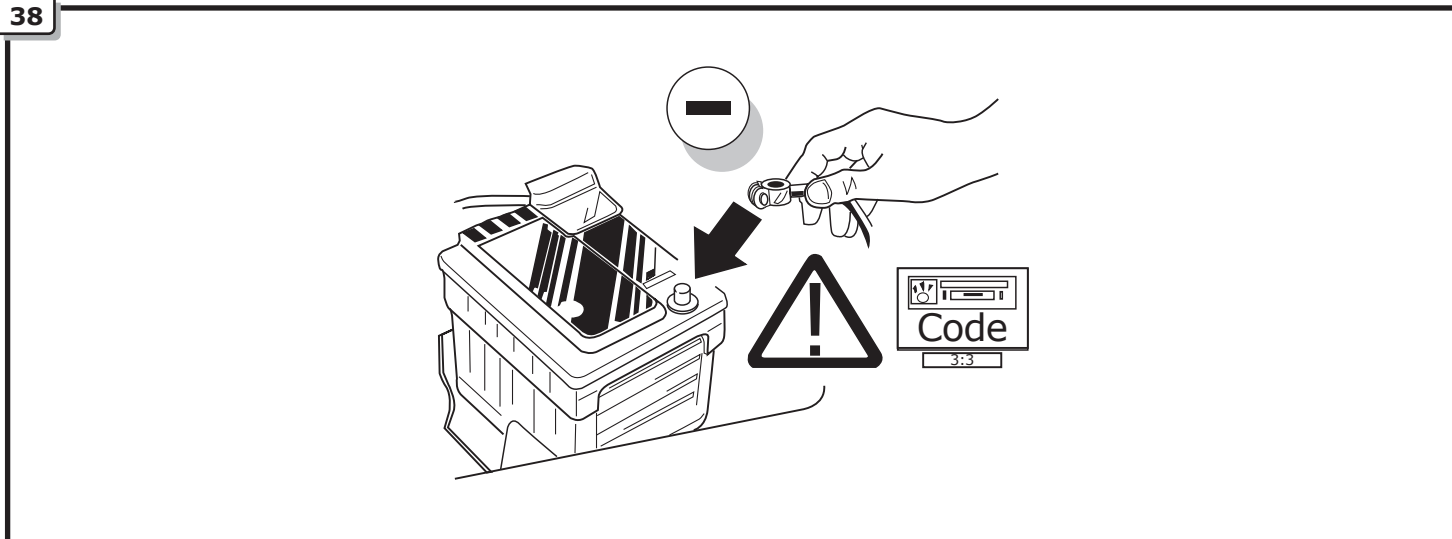
36



37



38



39

A VAG Service Tester must be used to code the vehicle's Gateway with the additional function for the towing hitch at the dealer.

40

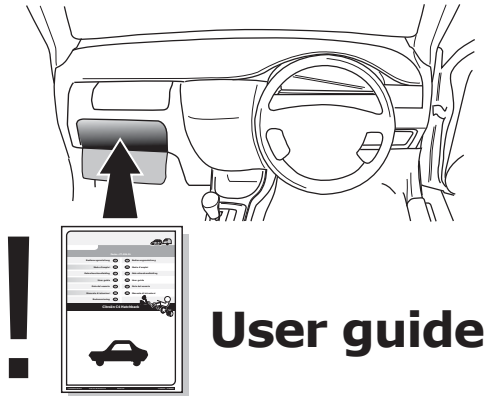


TEST ALL THE CIRCUITS WITH A TEST DEVICE WITH THE CORRECT POWER LOAD FOR EACH FUNCTION. A TEST DEVICE WITH LED'S CANNOT BE USED FOR THIS PURPOSE.

INFO

REINSTALL TRIM.

41



INFO

SOCKET CONNECTION

DIN/ISO 11446													
	1/L	2	3/31	4/R	5/58-R	6/54	7/58-L	8	9	10	11	12	13
Pmax	21W	21W		21W	42W	3x21W	42W	21W	180W/15Amp	180W/15Amp			
Colour	Black/White	Blue	Brown	Black/Green	Grey/Red	Black/Red	Grey/Black	Black	Red	Yellow	Brown	-	Brown