

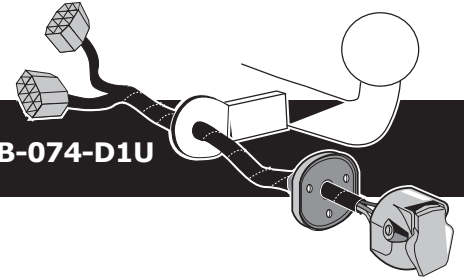
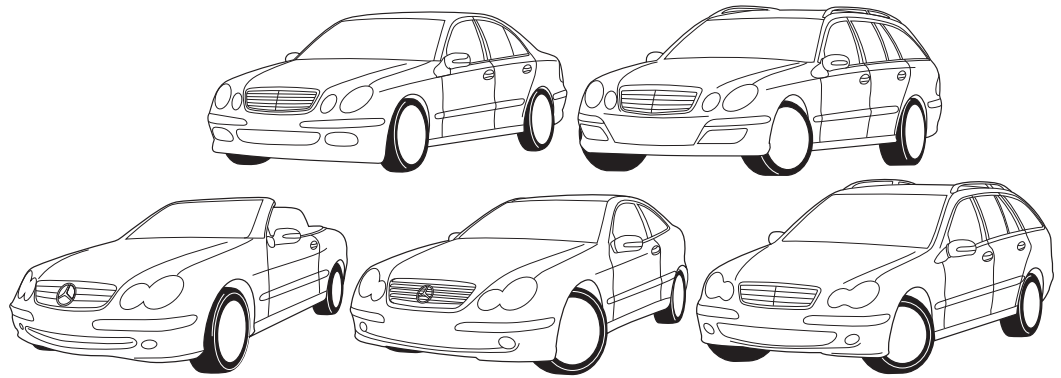


Mercedes Benz E Class

W211 03/2002-04/2009
S211 03/2003-04/2009

Mercedes Benz C Class

Class W203 06/2000-
Class C203 03/2001-
Class S203 03/2001-
Class CL203 06/2008-
Class C209 05/2002-
Class A209 05/2003-

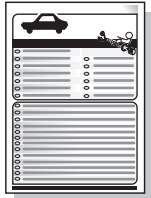
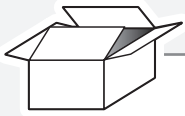


Partnr.: MB-074-D1U

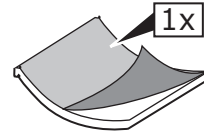
- Fitting instructions electric wiring kit tow bar with 13-P socket up to DIN/ISO Norm 11446.
- We would expressly point out that assembly not carried out properly by a competent installer will result in cancellation of any right to damage compensation, in particular those arising by virtue of the product liability act.
- Contents of these kits and their fitting manuals are subject to alteration without notice, please ensure that these instructions are read and fully understood before commencing installation.
- Do not overload circuits; the maximum loads per connection are detailed in this manual.
- Attention! Before Installation, please read this manual carefully and inform your customer to consult the vehicle owners manual to check for any vehicle modifications required before towing.
- In the event of functional problems, troubleshooting must be limited to about 0.5 hours, contact the technical support:
t.skinner@ecs-electronics.com / 07440 202 052.



Part list



G⏚

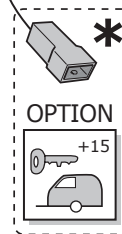


L2

M

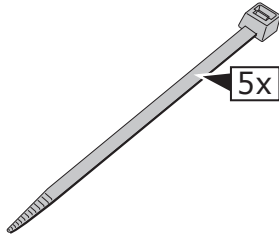


L1

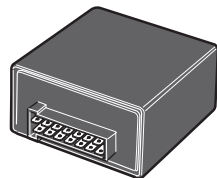
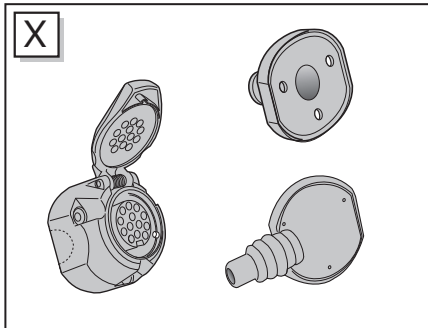


X

5x



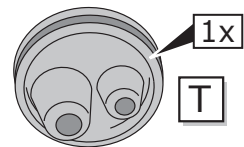
X



M

1x

T



3x

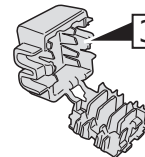


1x



15 Amp.

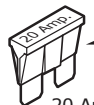
3x



3x

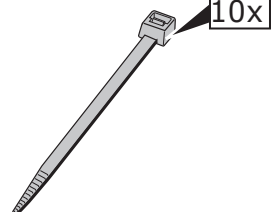


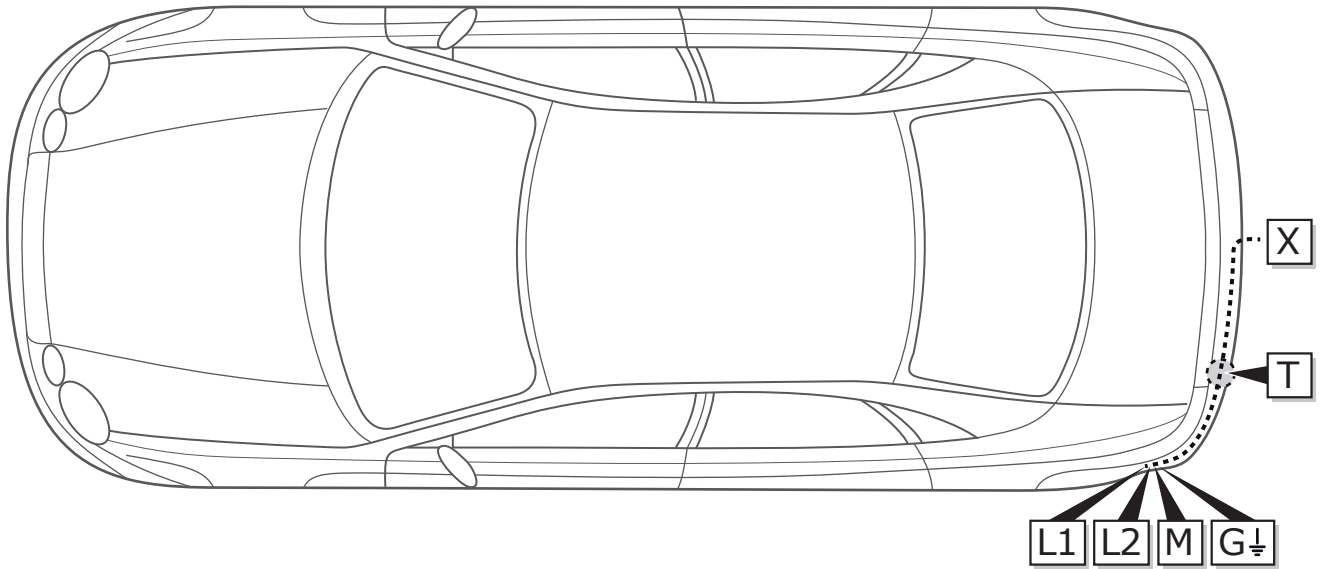
1x



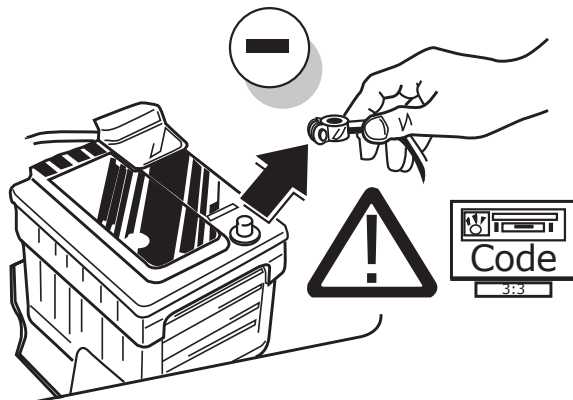
20 Amp.

10x

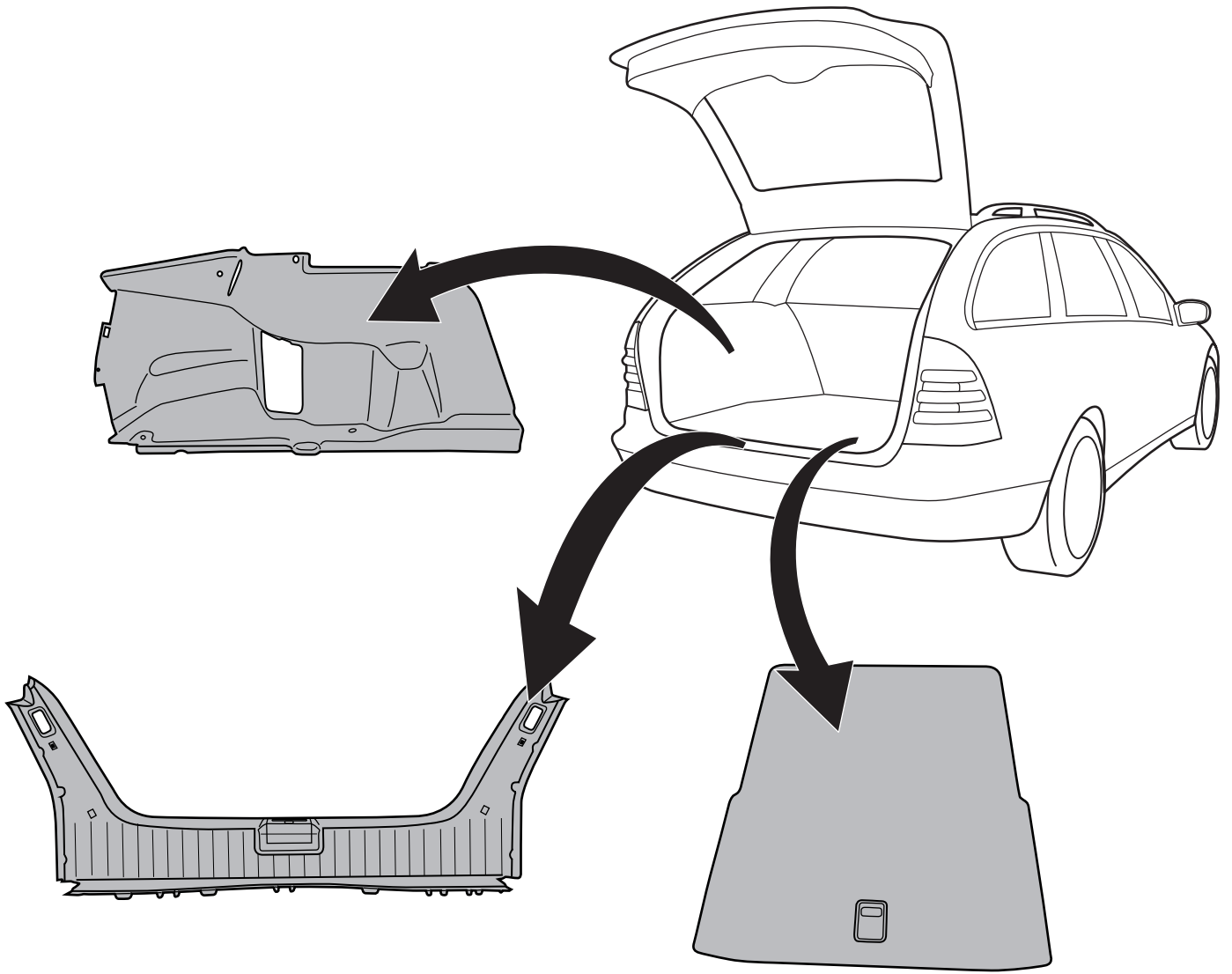




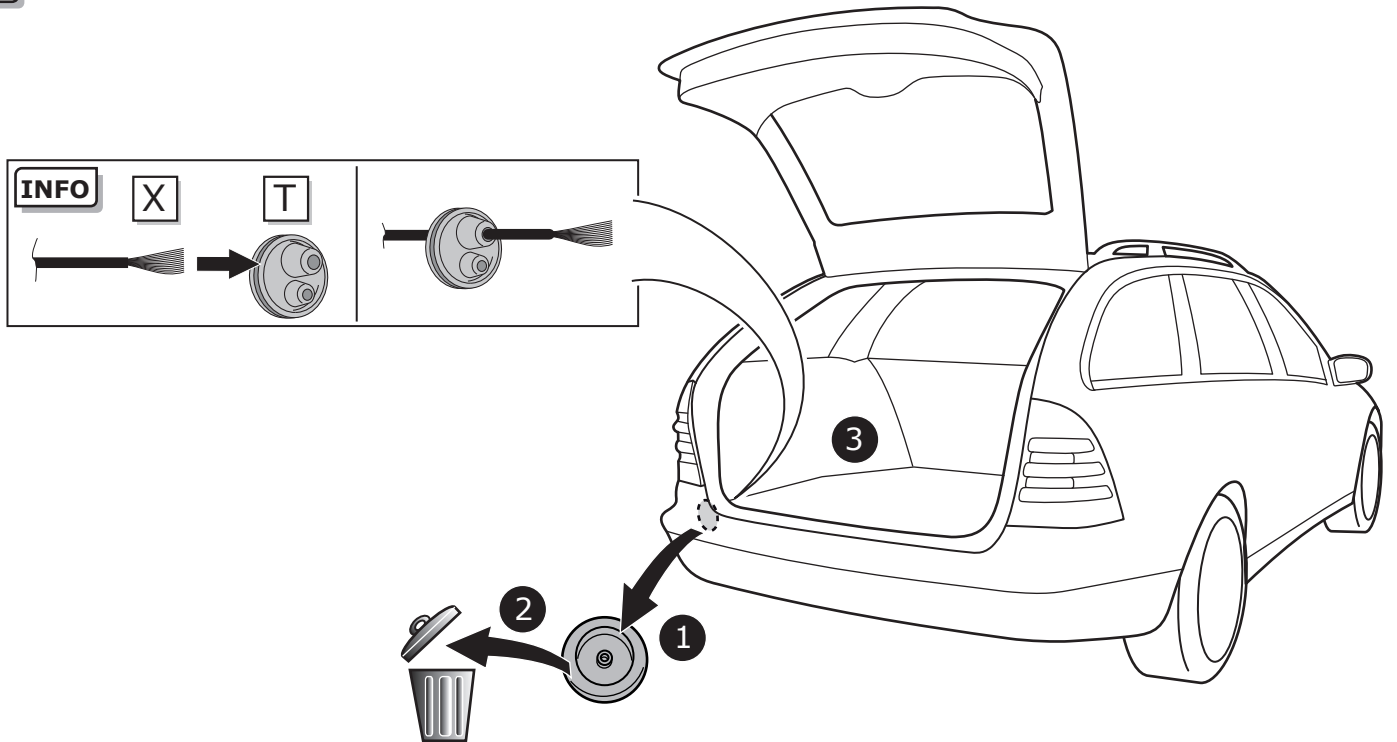
1



2

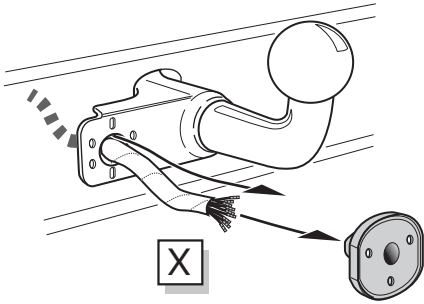


3

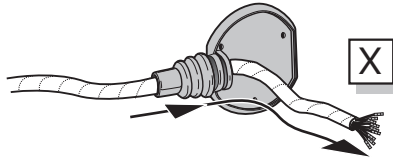


A

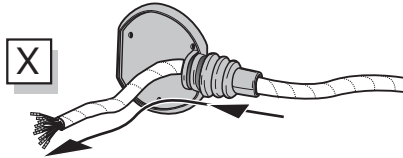
Option 1



Option 2



Option 3

**INFO**

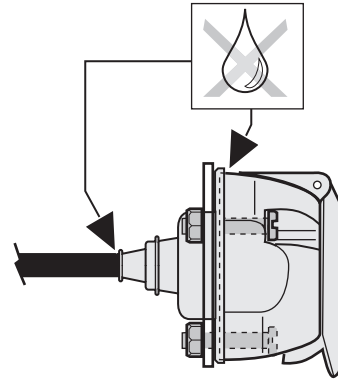
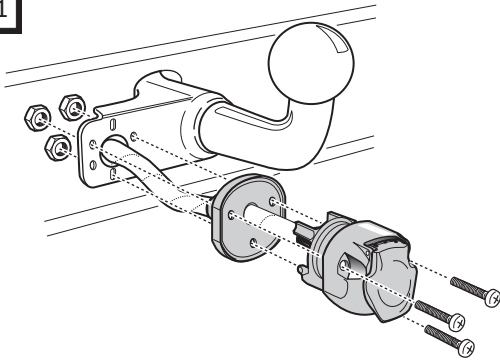
SOCKET CONNECTION



Pag. 9

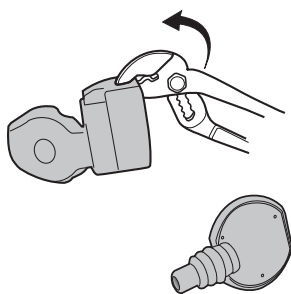
B

Option 1

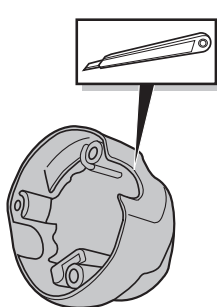
**C**

Option 2

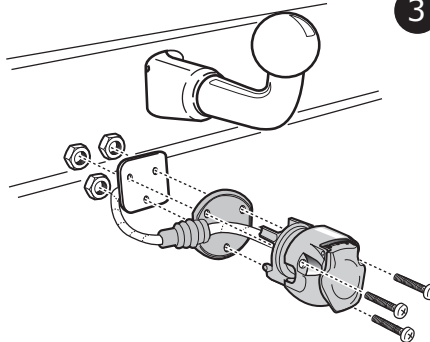
1



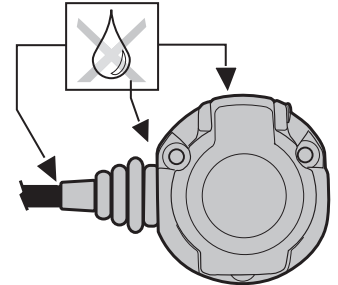
2



3

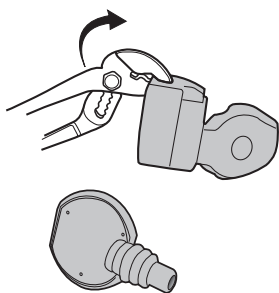


4

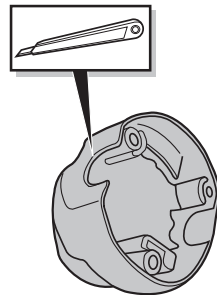
**D**

Option 3

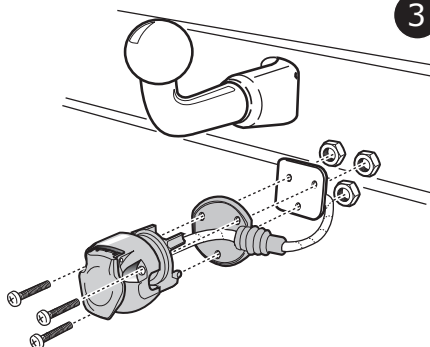
1



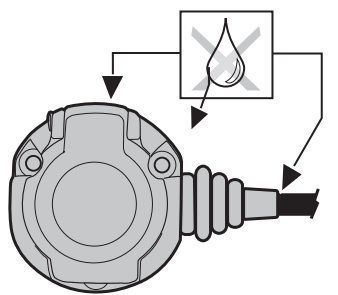
2



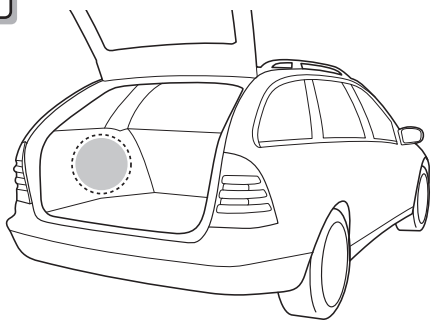
3



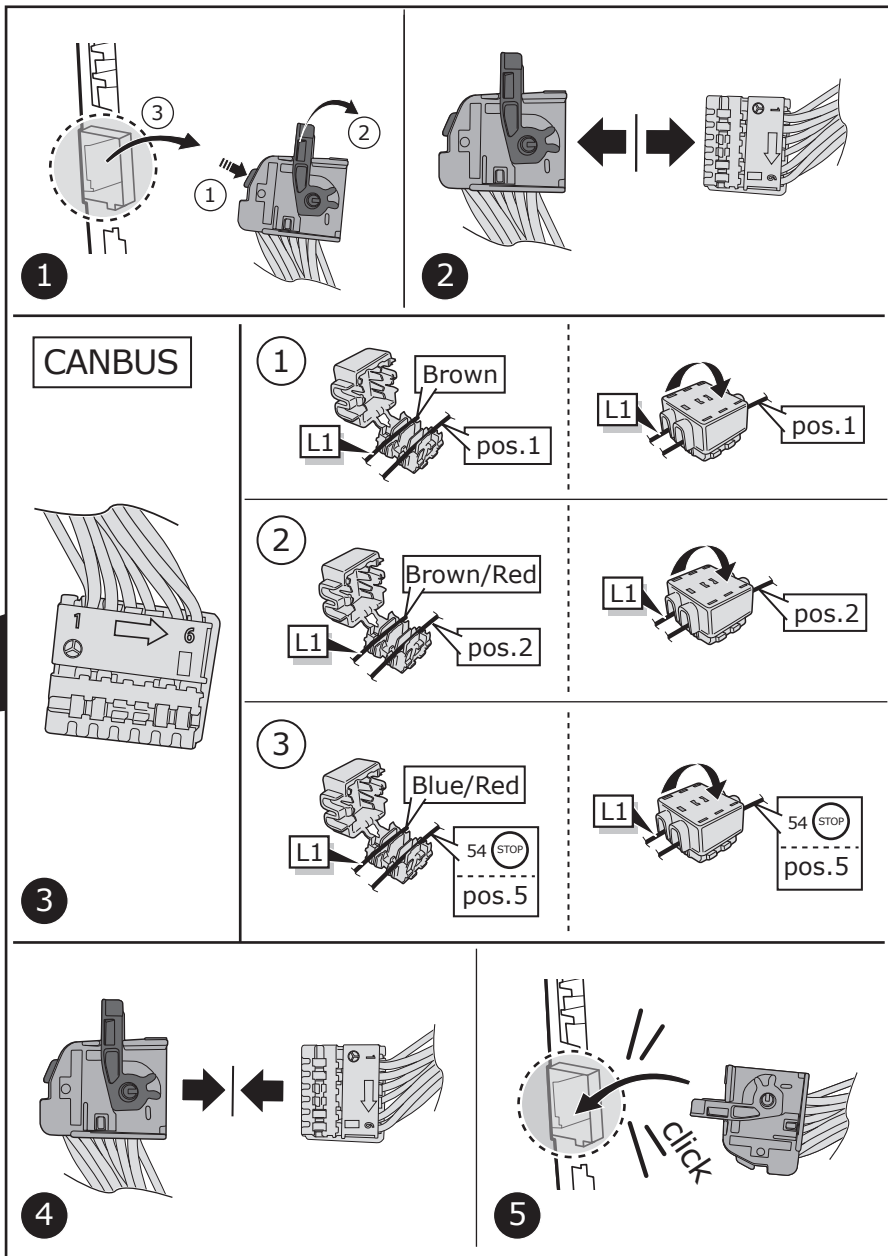
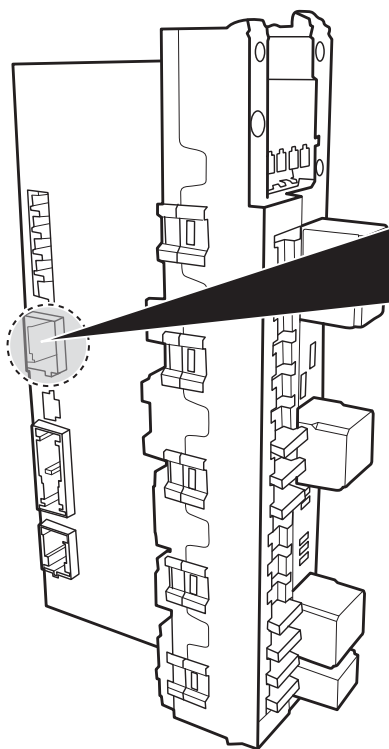
4



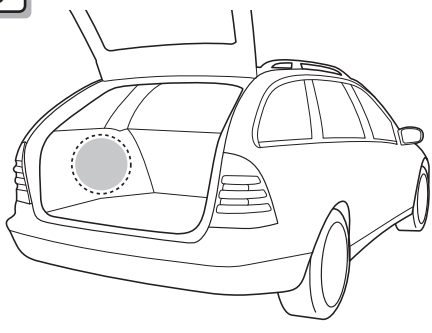
4



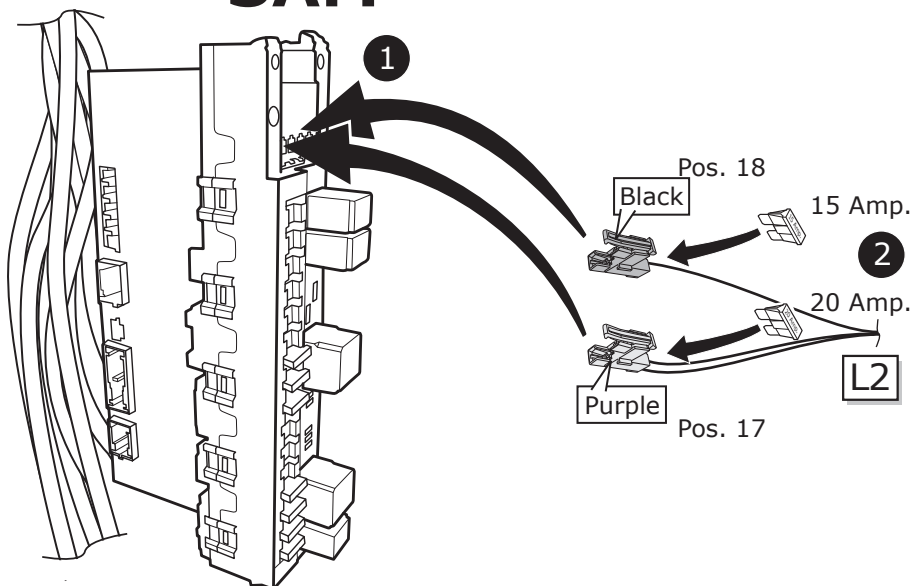
SAM



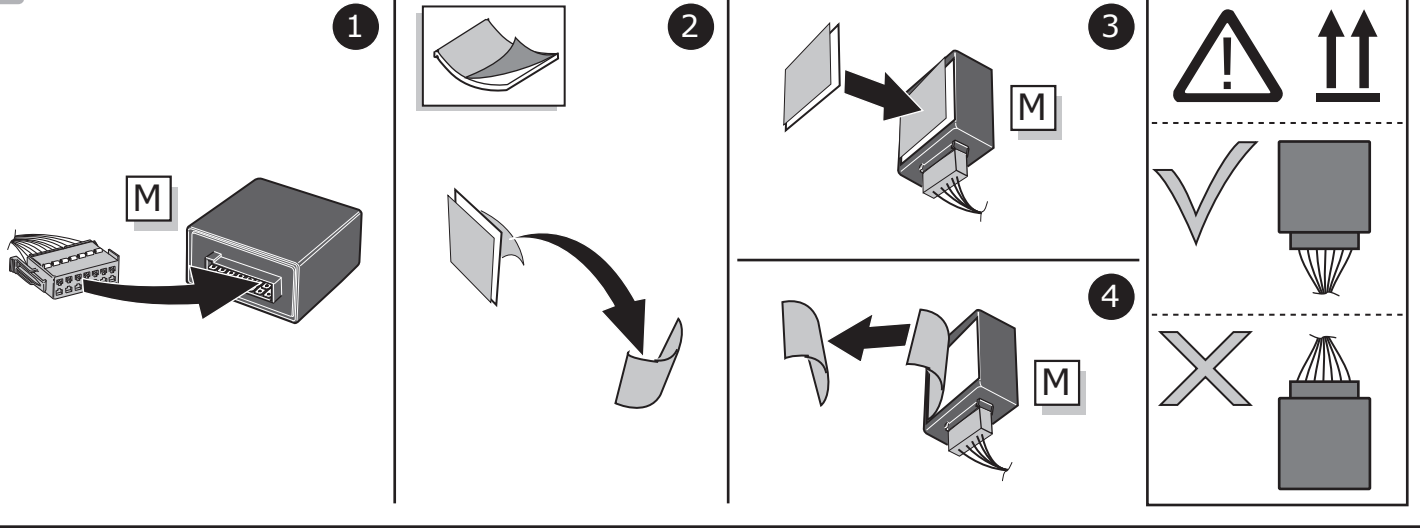
5



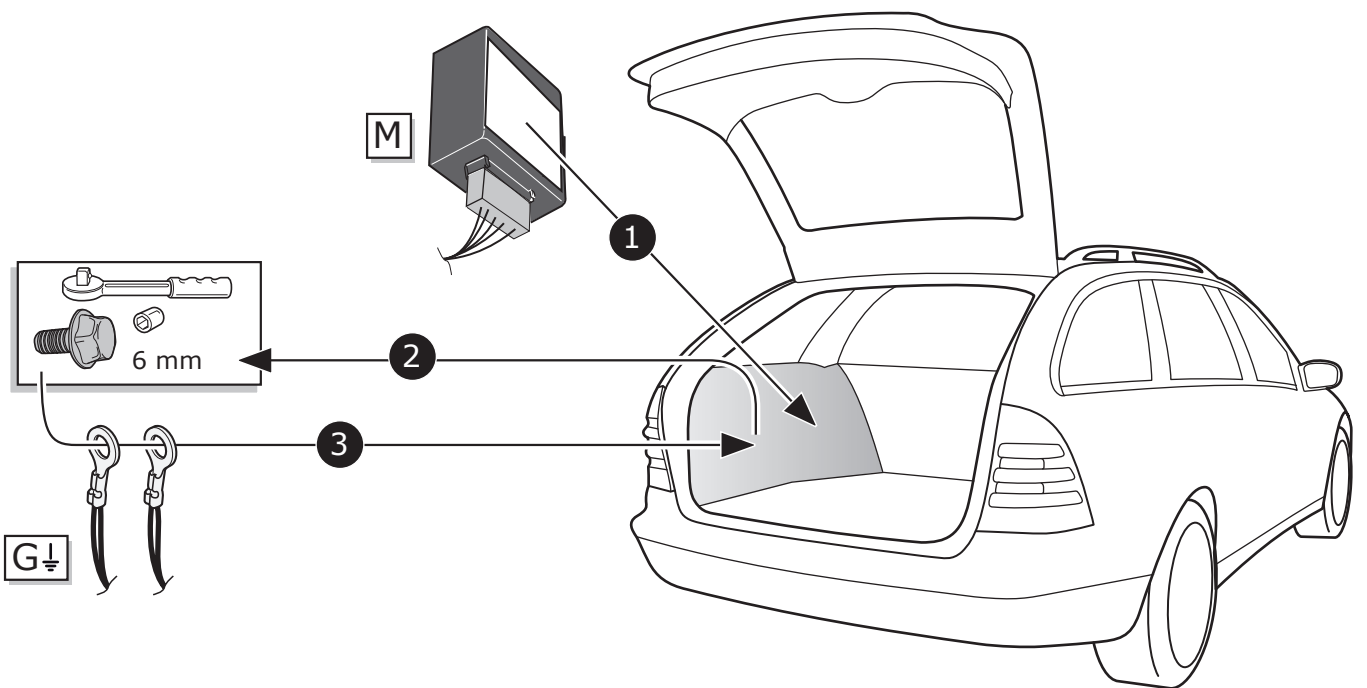
SAM



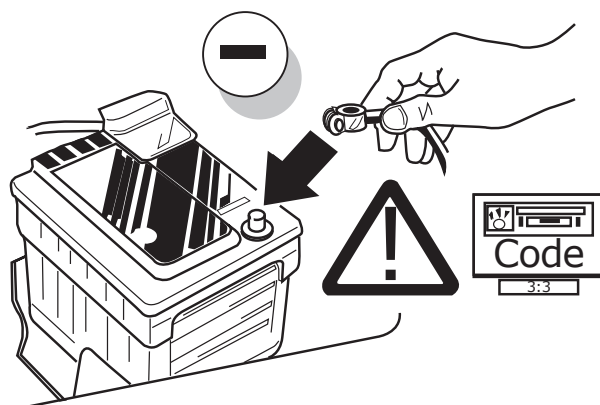
6



7

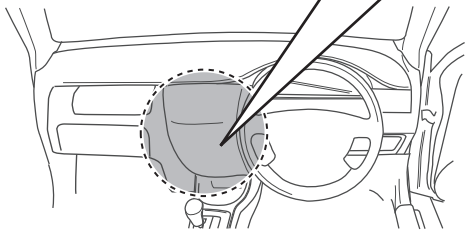
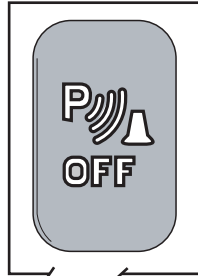
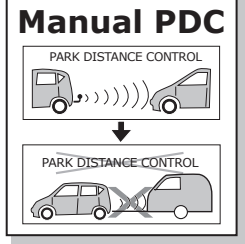


8

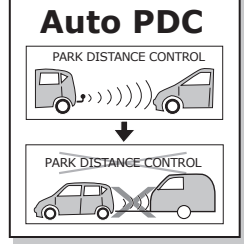


9

Option 1



Option 2



10

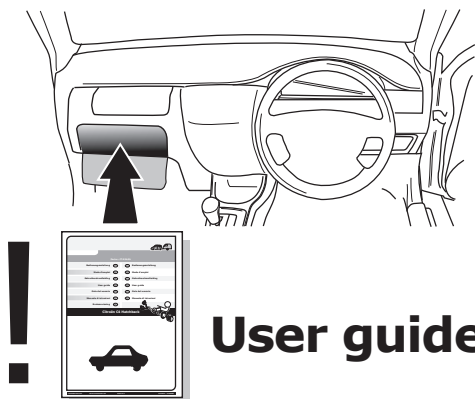


TEST ALL THE CIRCUITS WITH A TEST DEVICE WITH THE CORRECT POWER LOAD FOR EACH FUNCTION. A TEST DEVICE WITH LED'S CANNOT BE USED FOR THIS PURPOSE.



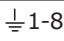







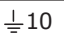
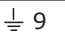
INFO

REINSTALL TRIM.

11



SOCKET CONNECTION

| | | | | | | | | | | | | | |
|------------------|---|---|---|---|---|---|---|---|--|---|--|----|---|
| DIN/ISO 11446 |  |  |  1-8 |  |  |  |  |  Reverse |  30+ |  15+ |  10 | — |  9 |
| | 1/L | 2 | 3/31 | 4/R | 5/58-R | 6/54 | 7/58-L | 8 | 9 | 10 | 11 | 12 | 13 |
| Pmax | 21W | 2x21W | | 21W | 52W | 3x21W | 52W | 2x21W | 180W/15Amp | 180W/15Amp | | | |
| Colour | Yellow | Blue | White | Green | Brown | Red 1,00 mm ² | Black | Black/ Red | Brown/ White | Red 2,50 mm ² | White | - | White |