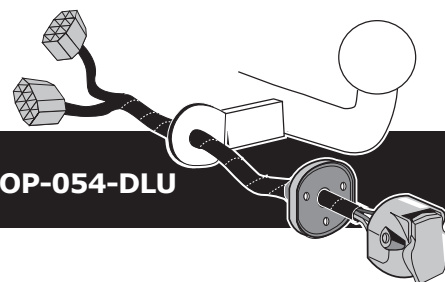


Vehicles with & without trailer-preparation!

Opel Movano van	03/2010 >> 12/2021
Renault Master van	03/2010 >>
Nissan NV400 van	03/2010 >> 12/2021
Nissan Interstar van	01/2022 >>

Partnr.: OP-054-DLU



- Fitting instructions electric wiring kit tow bar with 13-P socket up to DIN/ISO Norm 11446.
- We would expressly point out that assembly not carried out properly by a competent installer will result in cancellation of any right to damage compensation, in particular those arising by virtue of the product liability act.
- Contents of these kits and their fitting manuals are subject to alteration without notice, please ensure that these instructions are read and fully understood before commencing installation.
- Do not overload circuits; the maximum loads per connection are detailed in this manual.
- Attention! Before Installation, please read this manual carefully and inform your customer to consult the vehicle owners manual to check for any vehicle modifications required before towing.
- In the event of functional problems, troubleshooting must be limited to about 0.5 hours, contact the technical support: ukts@ecs-electronics.com / 07440 202 052.

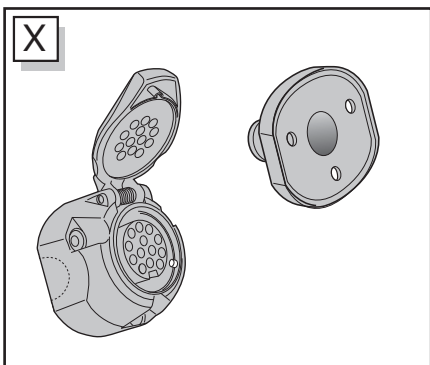
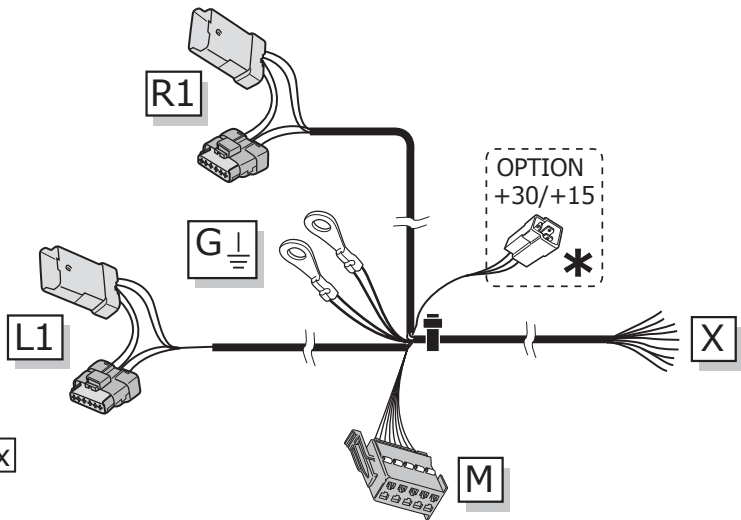
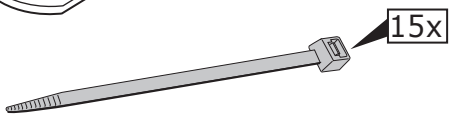
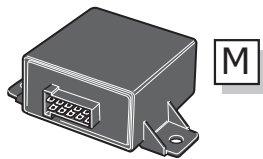
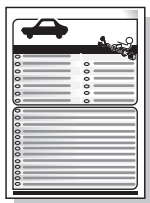
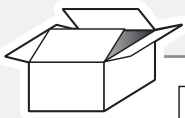
TECHNICAL SUPPORT

CALL 07440 202 052

ECS ELECTRONICS

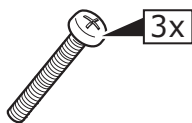
MONDAY TO FRIDAY
08.00 - 11.00 am
12.00 - 05.00 pm
ukts@ecs-electronics.com
www.ecs-electronicsuk.co.uk

Part list

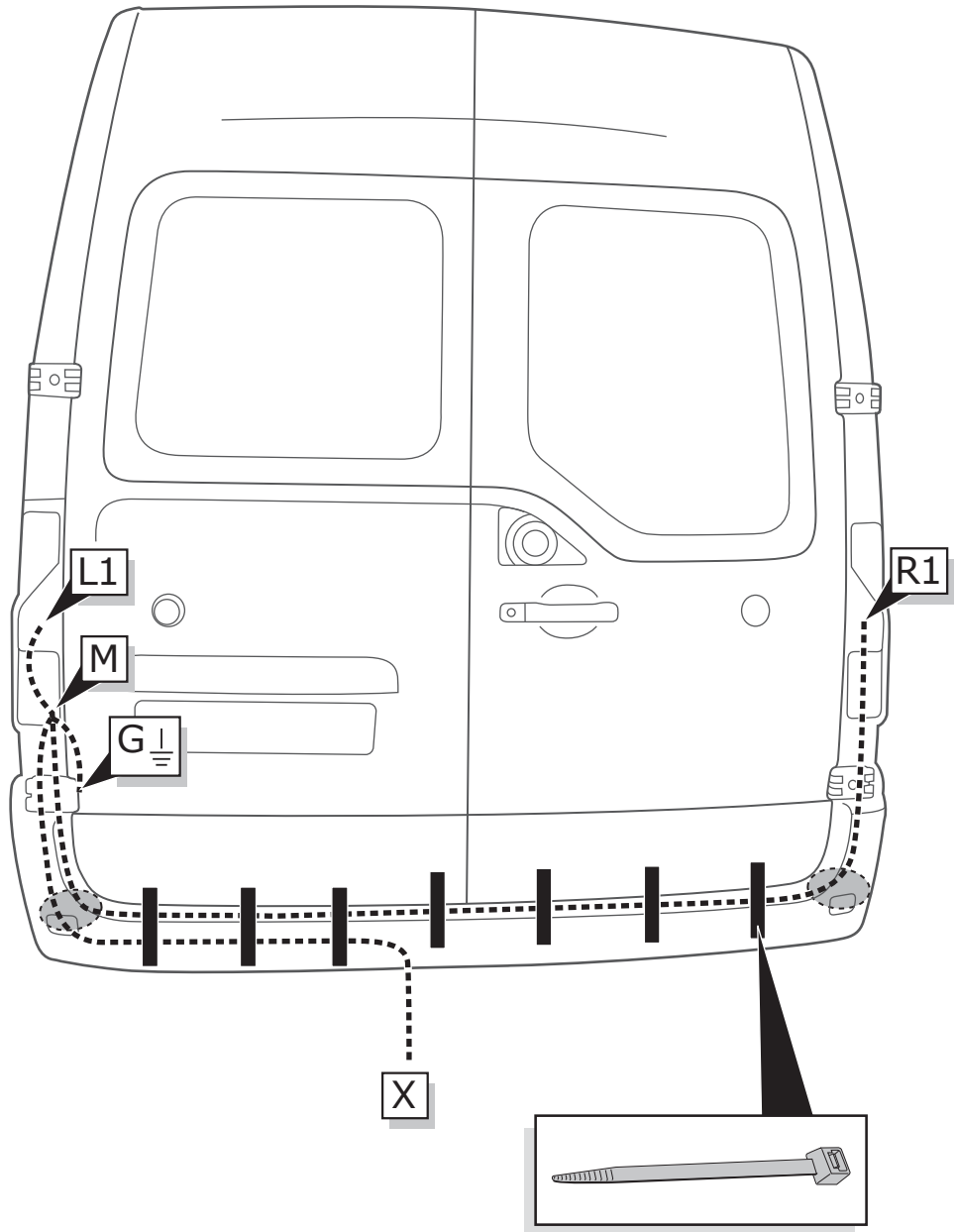


*** OPTION +30/+15**
preparation for

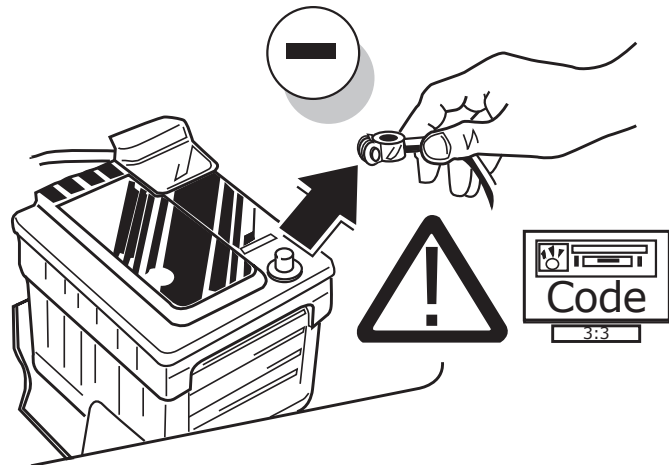
Brown/White	Red

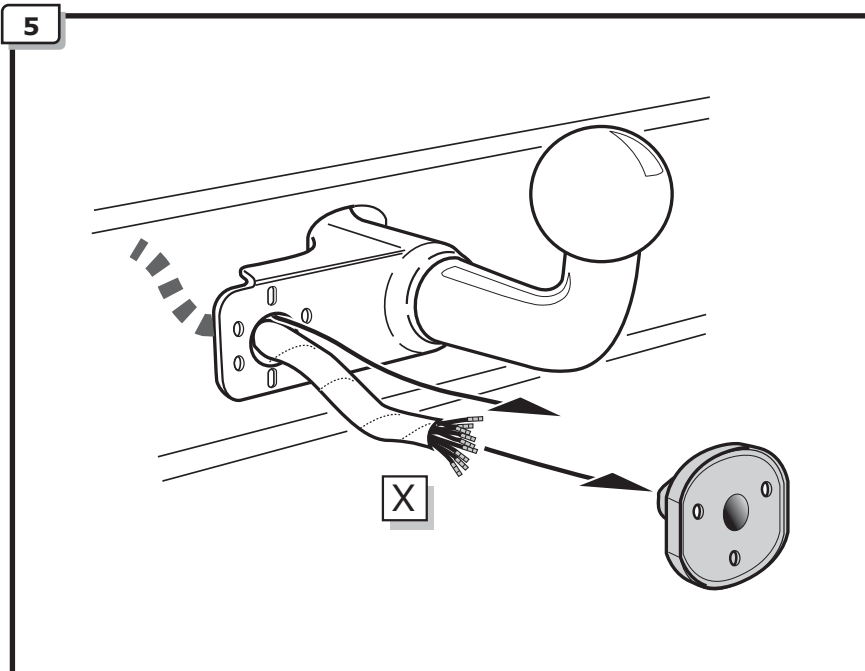
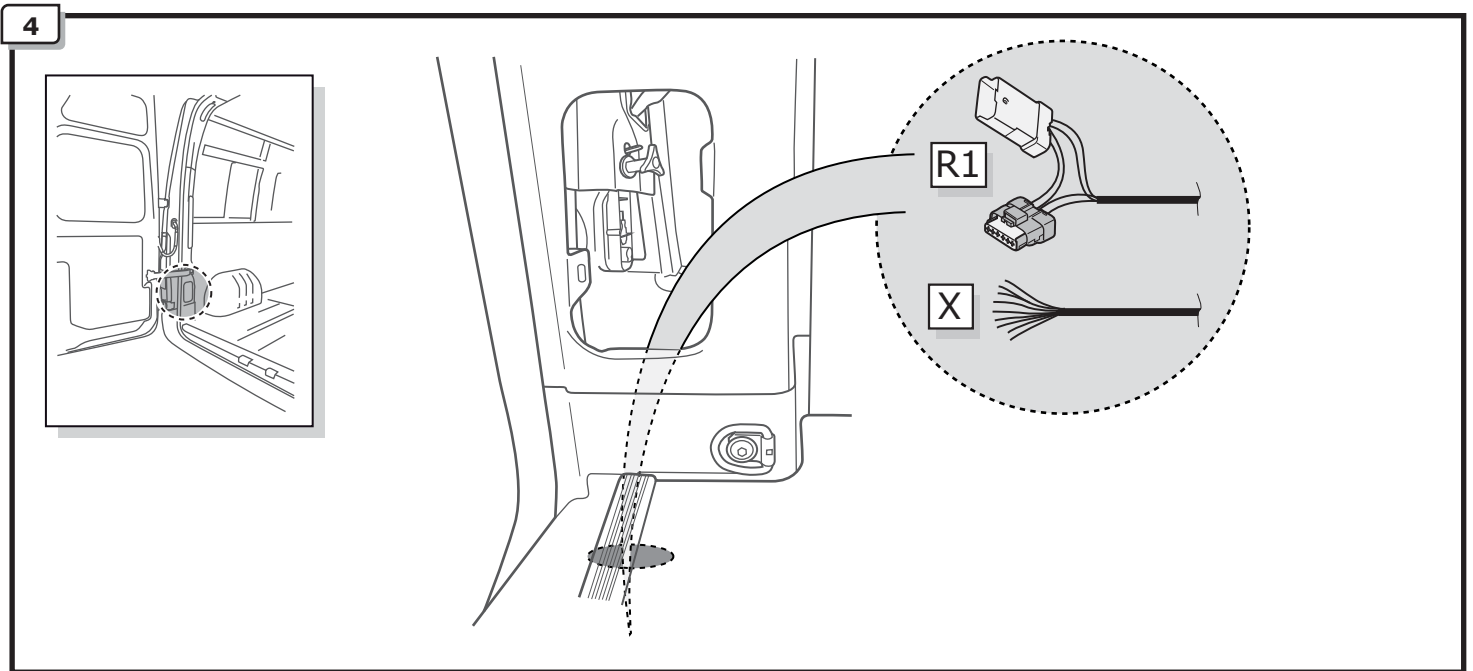
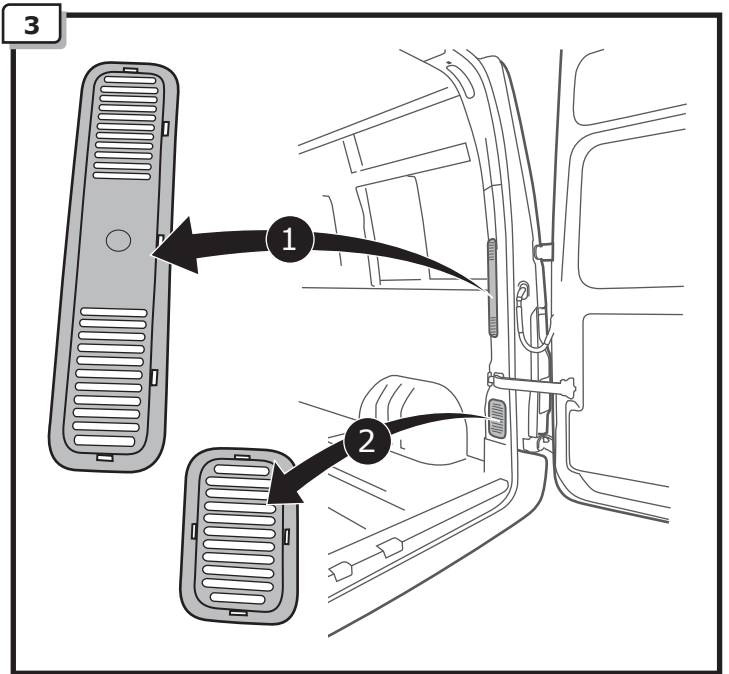
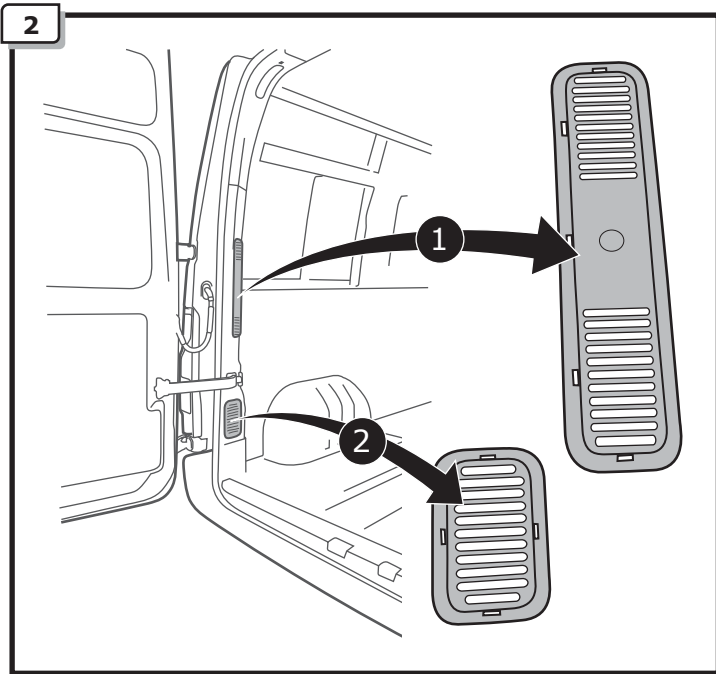


ROUTING



1





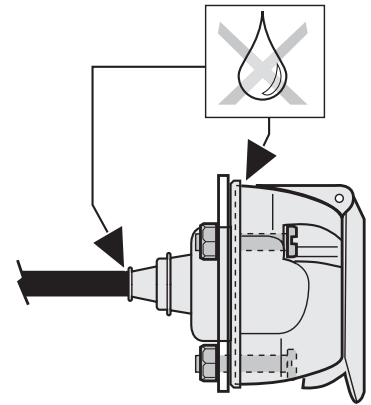
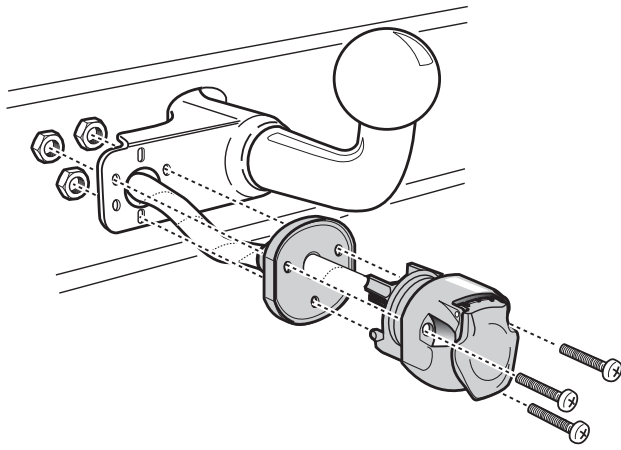
INFO

SOCKET CONNECTION



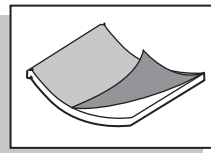
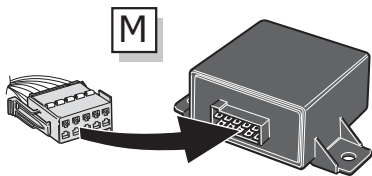
Page 8

6

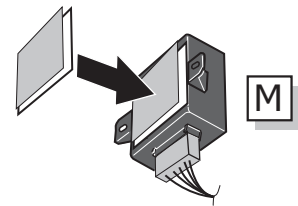


7

1

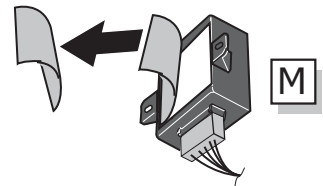


2

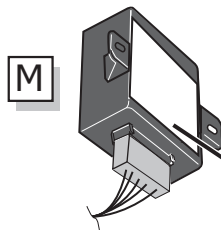
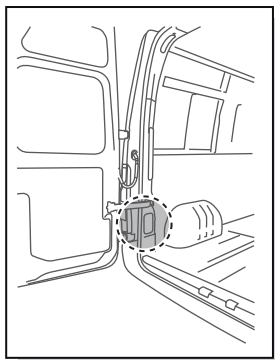


3

4

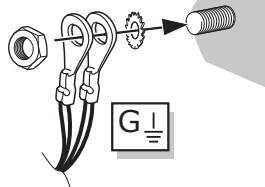
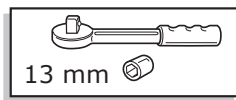


8



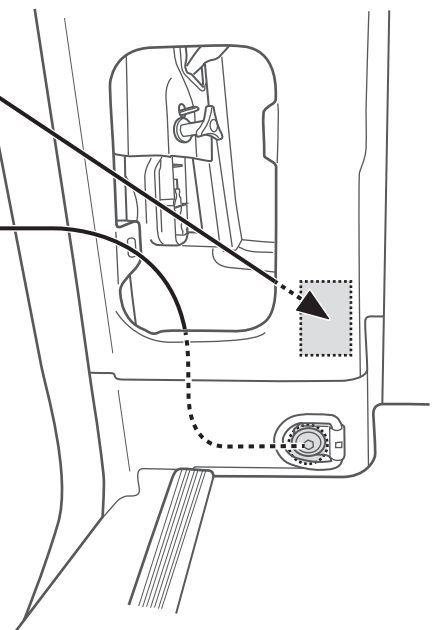
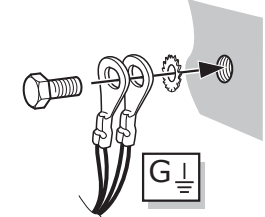
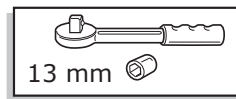
1

Option 1

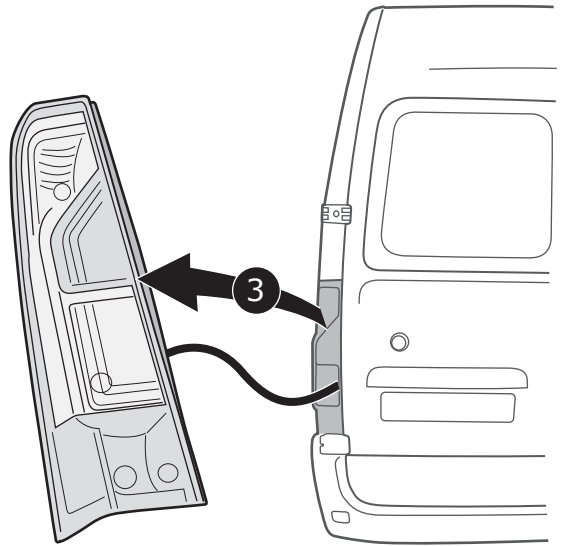
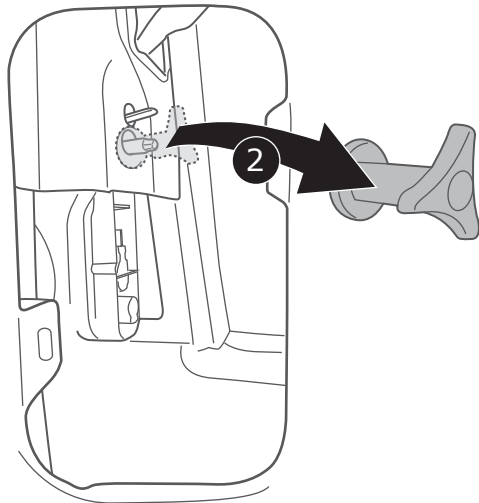
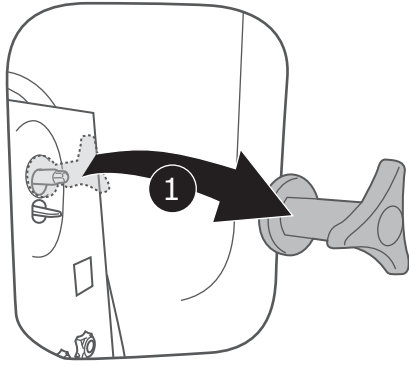
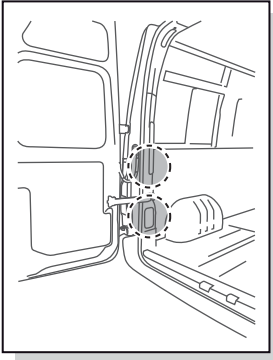


2

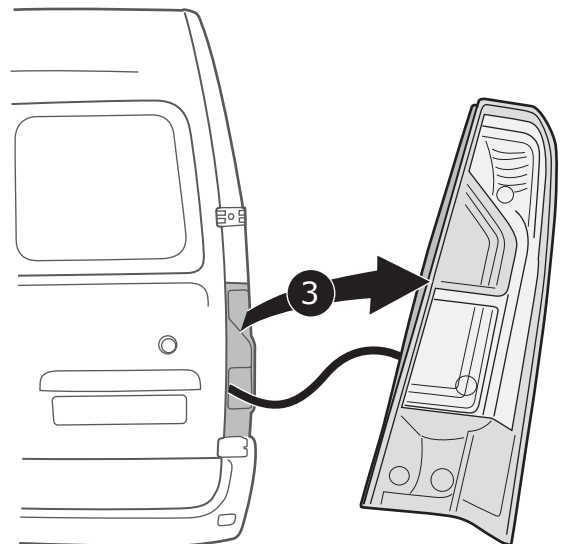
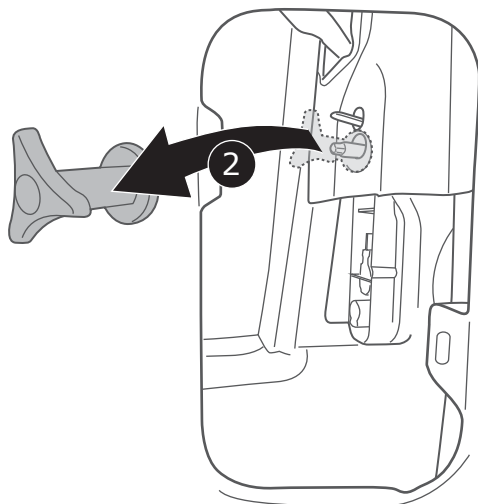
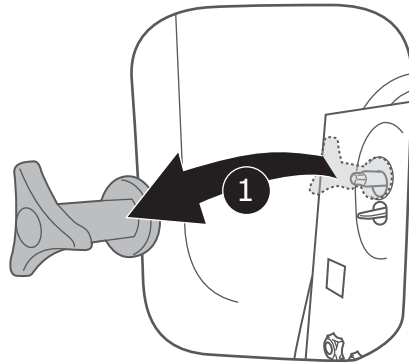
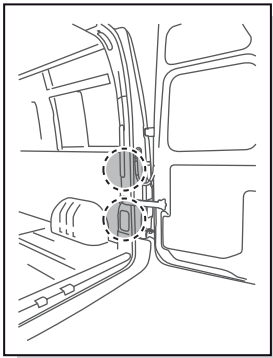
Option 2



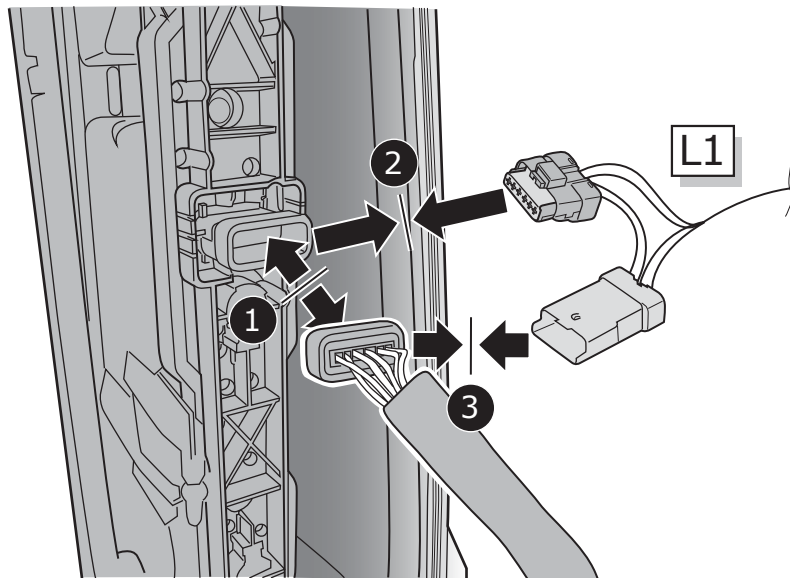
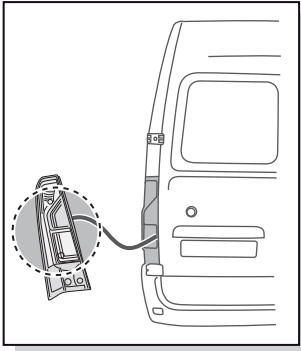
9



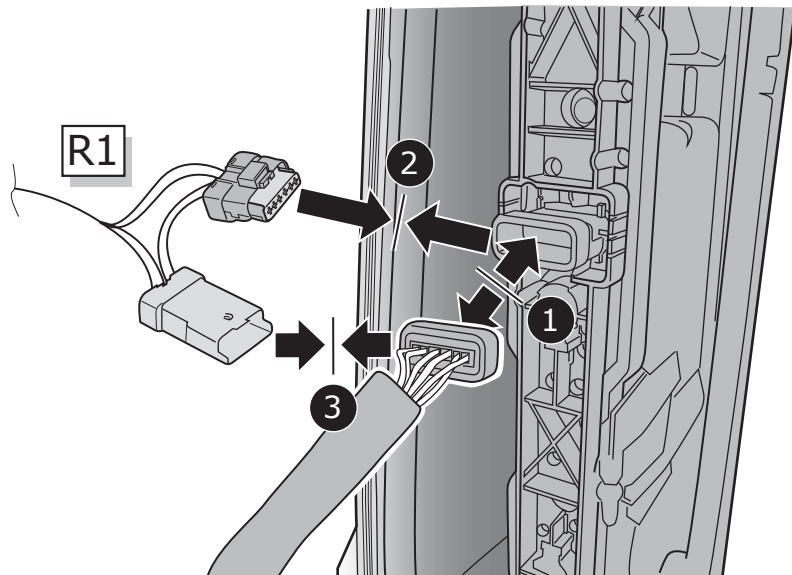
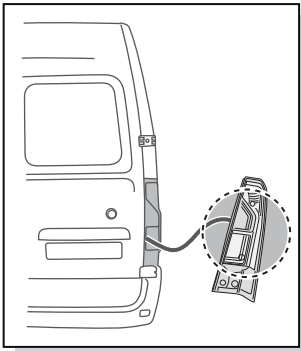
10



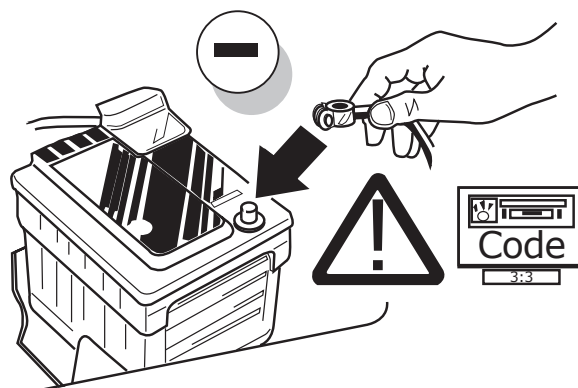
11



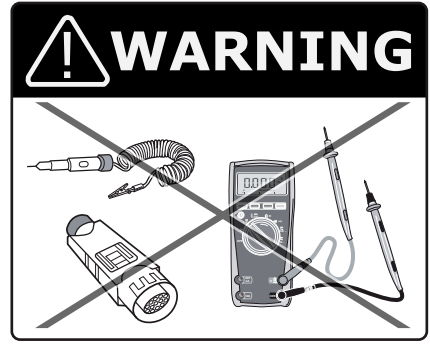
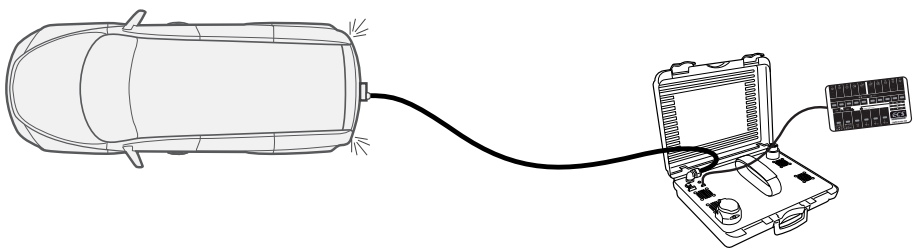
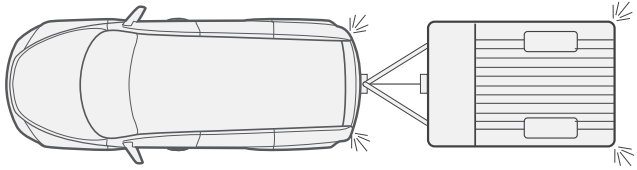
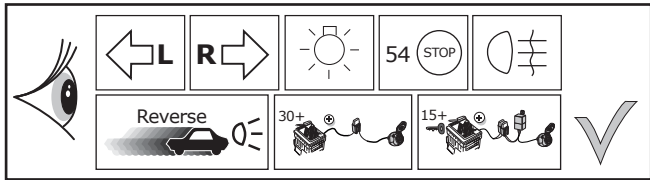
12



13

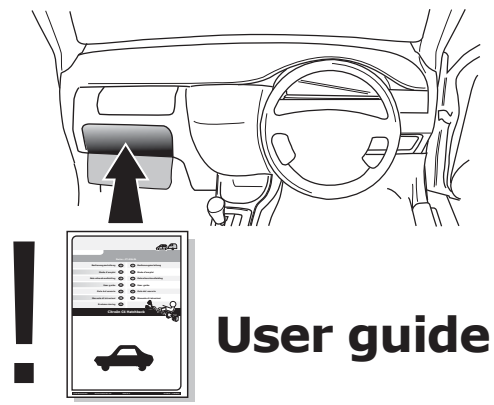


Functional test



LIGHTMATE®

ECS part no.
LIGHTMATE II
LIGHTMATE III



User guide



INFO

SOCKET CONNECTION

DIN/ISO 11446														
	1/L	2	2a	3/31	4/R	5/58-R	6/54	7/58-L	8	9	10	11	12	13
Pmax	21W	21W			21W	42W	3x21W	42W	21W	180W/15Amp	180W/15Amp			
Colour	Yellow	Blue	Grey	White	Green	Brown	Red 1,00 mm ²	Black	Black/ Red	Brown/ White	Red 2,50 mm ²	White	-	White