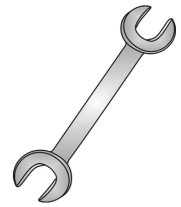




Tow-Trust Towbars

Important: Please read General Notes overleaf before fitting

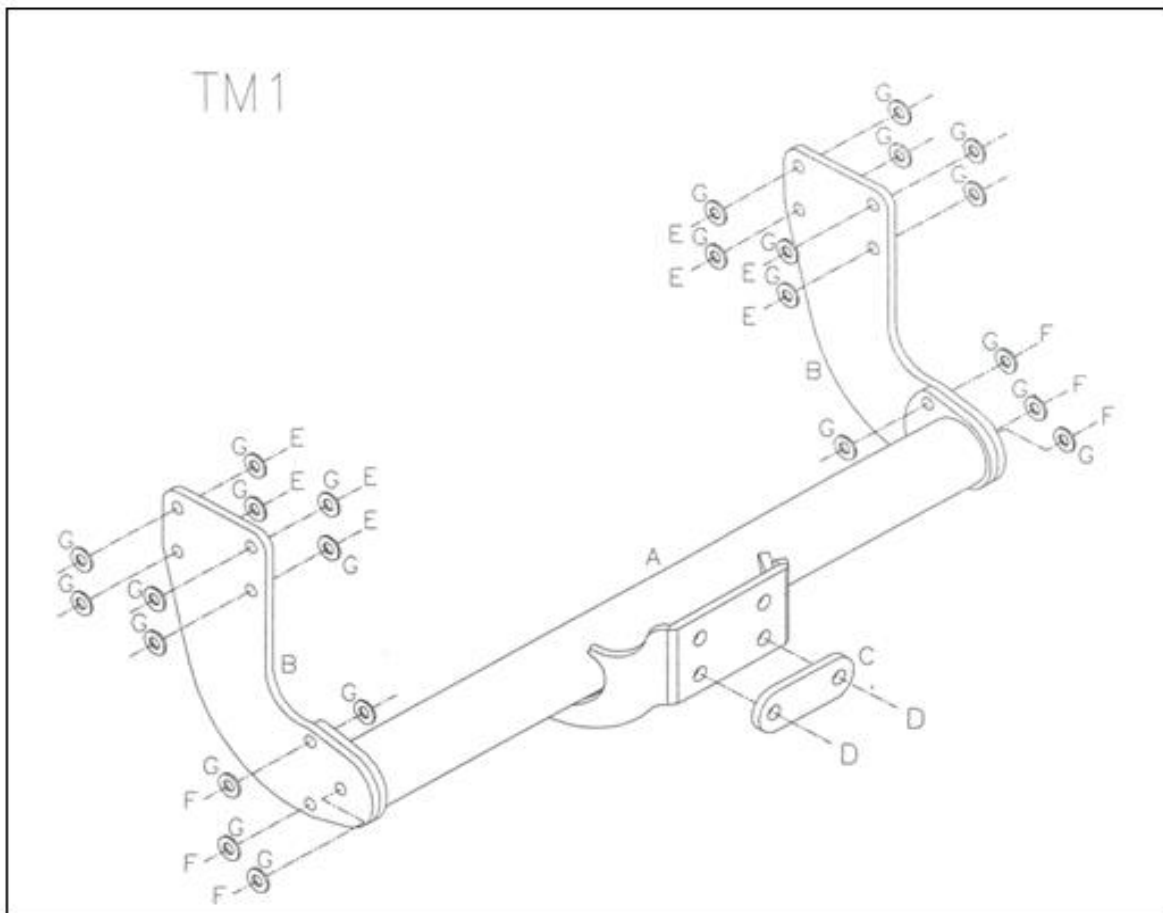


Issue 5

TM1 Mercedes Sprinter Van & Chassis Cab 2006> & VW Crafter Van & Chassis Cab 2006>

Item	Qty	Description	Item	Qty	Description
A	1	Crossmember	D	2	M16 x 60 Bolts & Nyloc Nuts
B	2	Side Arms	E	8	M12 x 110 Bolts & Nyloc Nuts
C	1	Coupling Spacer	F	6	M12 x 45 Bolts, 4 Nyloc Nuts & 2 S/P Washers
			G	26	12 x 25 Flat Washers

1. Remove the towing eye from the right hand chassis member. (This is not refitted with the Towbar.)
2. Using Item E with Item G loosely bolt Item B to the existing holes in each chassis member.
3. Using Item F with Item G bolt Item A to Item B.
4. Using Item D bolt the ball bracket and wiring plate (not supplied in this kit) to the mounting plate.
5. Fully tighten all nuts and bolts and ensure the Towbar is rigid and secure.



Note: nose load limits and vehicle manufacturers trailer / caravan weight limits must be observed.