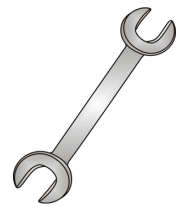




Tow-Trust Towbars

Important: Please read General Notes overleaf before fitting



Issue 9

TBM915VK BMW X5 (E70) 2007 – 2013 / X5 (F15) 2013> / X6 (E71) 2008 – 2014 / X6 (F16) 2014>

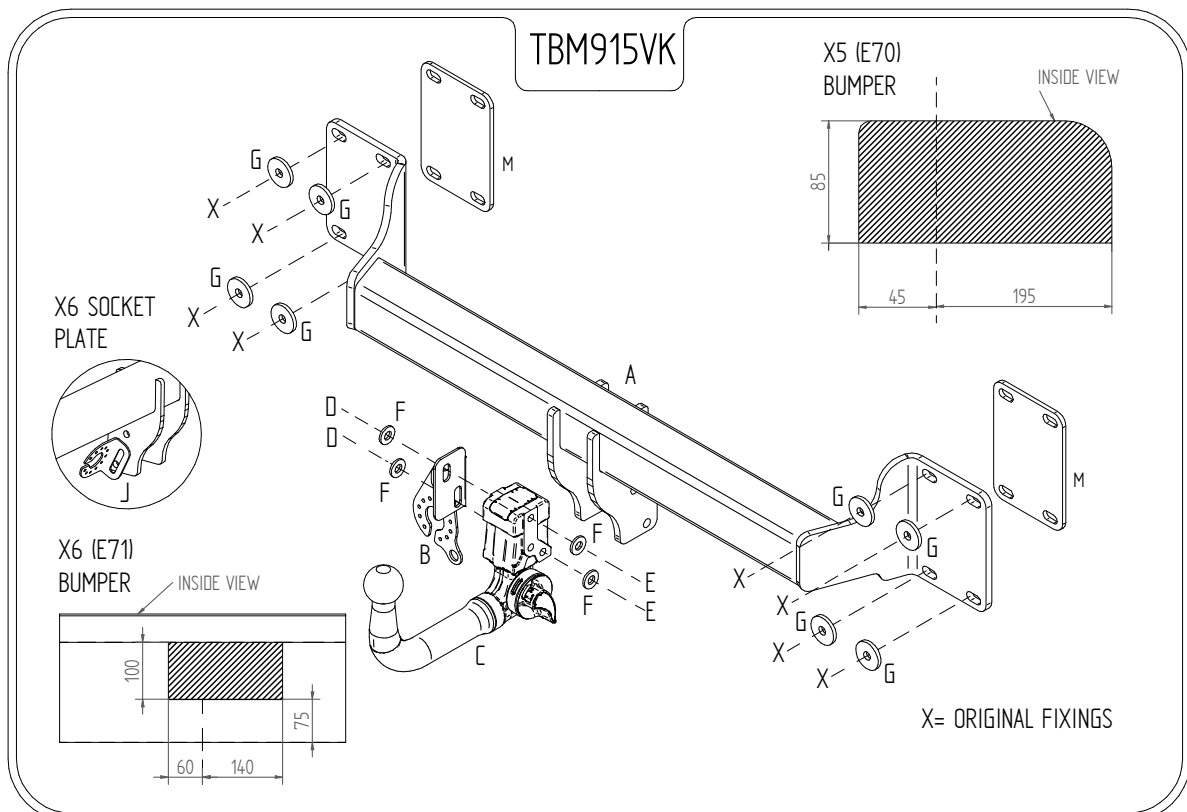
Item	Qty	Description	Item	Qty	Description
A	1	Crossmember	D	2	M12 x 25 Bolts & S/P Washers
B	1	Flip Up Socket Plate (TTFPA/LH)	E	2	M12 x 22 Bolts & S/P Washers
C	1	ACS Detachable Neck 6224	F	4	12 x 25 Flat Washers
			G	8	12 x 40 Flat Washers
			H	6	Large Plastic Rivets
			J	1	Socket Plate 1
			M	2	6 mm Spacer Plates

BUMPER REMOVAL:

1. Remove the rear light clusters (two fixings found inside boot behind removable panels) this will reveal one bumper fixing below each light. Remove the reflectors (one steel clip) this will reveal one bumper fixing behind. Remove three fixings from each wheel arch, peel back wheel arch trim to reveal one more fixing either side, remove six fixings along the bumper lower edge. Disconnect and necessary wiring looms and starting at the bumper tips remove the rear bumper from the vehicle body. **Note: X5 (E70) & X6 (F16)** Towbar can be fitted by just removing the lower skirt.
2. Remove bumper beam and retain original fixings.

TOWBAR INSTALLATION:

1. **X6 (E71):** Place item **A** in line with Towbar mounting points and mark the plastic on the rear panel then trim the plastic so item **A** can bolt up flush.
2. **X5 (E70) / X5 (F15) / X6 (F16)** Using original fixings and Item **G** bolt Item **A** to the rear panel. **NOTE:** Some Vehicles require Item **M** between the rear panel and the Towbar to give extra clearance along the top edge of Item **A** and the inner plastic bumper support.
3. As a precaution always seal around each end plate of the Towbar to prevent water damage.
4. Using Item **E** with Item **F** and Item **D** with Item **F** bolt Item **C** and Item **B (J on X6)** to Item **A**.
5. Fully tighten all fixings and ensure the Towbar is rigid, square and secure.
6. Cut a section centrally from the lower edge of the bumper skirt **X5 (E70)** 75mm Wide x 65mm Deep.
X6: See Sketch. **NOTE: X5 (F15) & X6 (F16)** Do not require a bumper cut.
7. Refit bumper using Item **H** around each wheel arch. Refit light clusters.



Note:

1. Recommended Torque Setting for M12 Grade 10.9 -130 Nm. (For other Torque Settings see notes overleaf.)
2. Nose load limits and vehicle manufacturer's trailer / caravan weight limits must be observed.