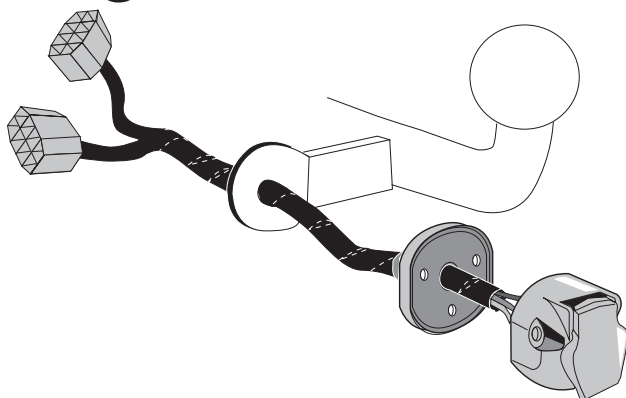




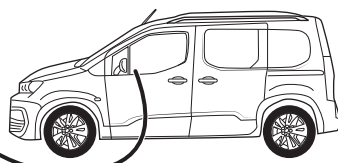
Citroen C3 Aircross	10/2017 >>	09/2024	
Citroen Berlingo M / XL	10/2018 >>		
Citroen ë-Berlingo	12/2021 >>		
Fiat Doblo	07/2022 >>		
Fiat E-Doblo	07/2022 >>		
Peugeot Rifter L1 / L2	10/2018 >>		
Peugeot Partner L1 / L2	11/2018 >>	Vauxhall Crossland	01/2021 >>
Peugeot e-Rifter	02/2022 >>	Vauxhall Crossland X	06/2017 >>
Peugeot e-Partner	02/2022 >>	Vauxhall Combo (E) Life / Life XL	10/2018 >>
Toyota Proace City L1/L2	12/2019 >>	Vauxhall Combo (E) Cargo	10/2018 >>
Toyota Proace City Verso L1/L2	12/2019 >>	Vauxhall Combo-e Cargo	12/2021 >>

Part No: VA-010-07MU

Electric wiring kit for towbars / 7-pin / 12N / 12 Volt / ISO 1724 Fitting instructions



Set up trailer operation



The light functions on the trailer will only operate AFTER the vehicle has been re-coded!



IMPORTANT!

This electric kit has to be installed by a professional workshop or a suitable qualified person.

The installation instructions must have been read and fully understood before the start of any installation. Please contact your wiring kit provider or the hotline shown in the footer should you need assistance!

Make sure the vehicle is approved/homologated by the manufacturer to tow a trailer!

Also please check that there is a definite compatibility between this vehicle and the electric kit!

Following the installation of the electric kit, the fitting instructions should be kept together with the vehicle service document and vehicle handbook. The fitting instructions contain important information relating to the use and function of the towing kit as well as for any diagnostic or activation process, that might have to be repeated in the future (e.g. after the performance of a vehicle software update).

All warranty claims will be forfeited if the electric kit or components contained therein are used incorrectly or modified. If a towing socket adaptor has been used to connect to the trailer or bike rack, this must be removed from the trailer socket once the trailer or bike rack has been disconnected.

If the trailer or bike rack is not equipped with a rear fog lamp, depending on the towing vehicle type, the correct function of the towing kit cannot be guaranteed. In such cases, a rear fog lamp should be retro fitted.

This towing electric kit will not be covered under warranty if any technical or electrical modifications or software updates have been performed by the vehicle manufacturer after the initial commissioning of the kit. That applies especially to modifications or updates which may cause malfunctions in the trailer socket or any other part of the trailer electrical equipment!

Depending on the type of trailer module used in this electric kit, diagnostic interrogation with the vehicle's electrical system may be limited or will not function. The error memory inside the trailer module may not be able to be accessed by vehicle manufacturers diagnostic system.

Error logs relating to the trailer electrical equipment, that may be generated in the vehicle manufacturers diagnostic system as a result of a test procedure, may be due to the incorrect installation of the towing electric kit or the false activation of the trailer module.

We always recommend whenever possible, the following troubleshooting process:

→ **An analysis of the vehicle's error memory and possibly clearing of all faults before the start of the installation!**

→ **Try disconnecting the trailer module from the towing harness and re-start the fault clearing process!**

→ **If in doubt, limit the time for troubleshooting to a max of 0,5 hours and call our Technical Support Team!**

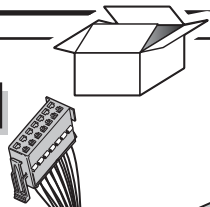
Please follow our instructions carefully and always test the towing electrics using a true lighting board or a specifically designed bulb tester. If an LED tester is used, ensure it is equipped with correct load resistors or malfunctions will occur!

This instruction is subject to changes and we reserve the right to make changes to design, colour etc.

All of the data and illustrations may not be an exact representation but the text contained in this instruction must be observed!

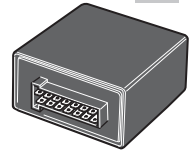


M



5x

M



U1



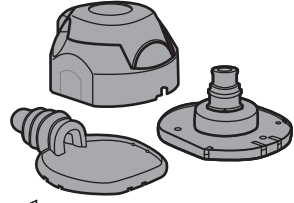
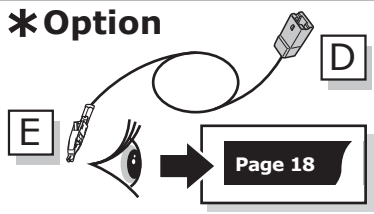
X



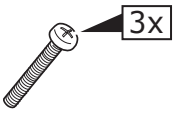
G



* Option



L1



3x



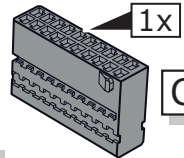
3x



3x



1x



1x

C

U3

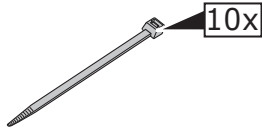


U2

U5



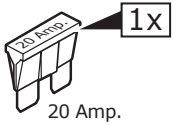
U4



10x

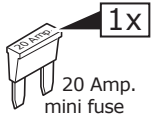


1x



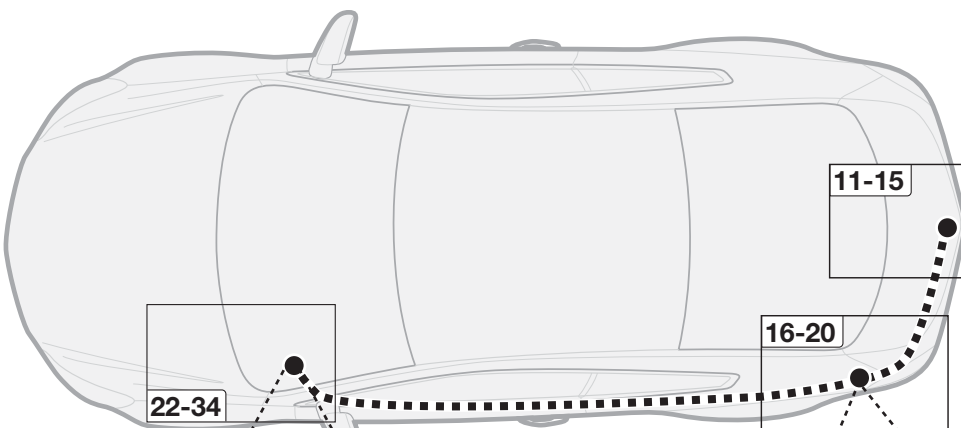
1x

20 Amp.



1x

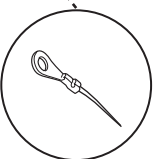
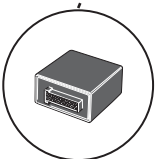
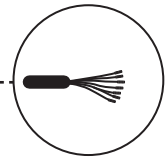
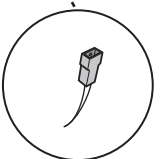
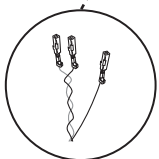
20 Amp. mini fuse



11-15

16-20

22-34



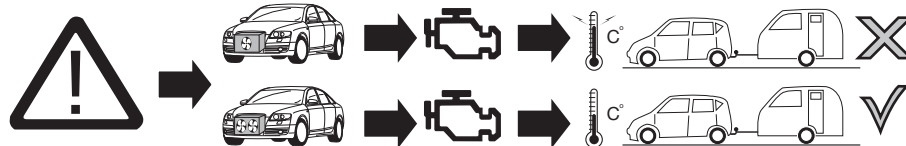
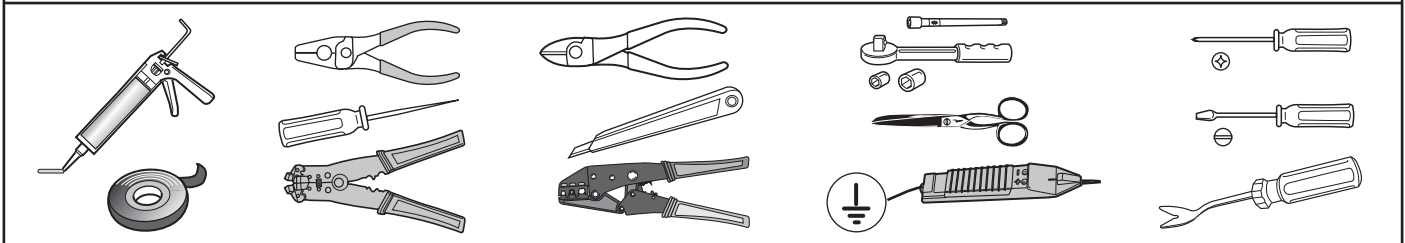
SYMBOL EXPLANATION

58L	Left taillight (58-L)
58R	Right taillight (58-R)
54	Stop light (54) / high mounted, third stop light (54)
	Turn signal indicator left
	Turn signal indicator right
	Rear fog light(s)
	Reversing lights(s)
+30	Permanent power supply / 13pin socket, chamber 9
+15	Charging wire for trailer battery/ 13pin socket, chamber 10
	Trailer / Trailer recognition
+30	Permanent current power supply
+15	Voltage after ignition

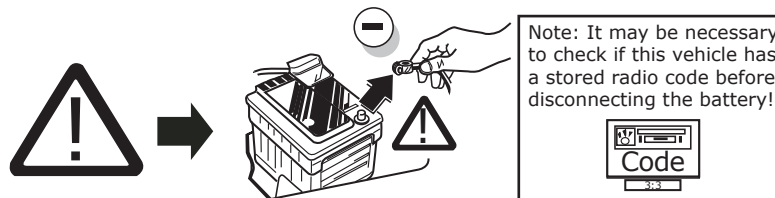
	Ground or Earth (31)
	Ground connection battery terminal lug
	Positive connection battery terminal lug
	Fuse / fuse capacity 20 Amp
	Loudspeaker / buzzer
	Park distance control
	Switch / source of function
	Connect together
	Disconnect
	PDC cut off
	Look carefully at selected area
	Present / Occupied / OK

	Not present / Not occupied / not OK
	Left
	Right
	Acoustic indication
	Attention / important advice
	Reusable
	Trash bin
	Use tape
OPTION	Option
INFO	Information
	Measure the voltage
NO NC COMMON	Normally open Normally close Common

TOOLS



ATTENTION! The vehicle's cooling capacity may have to be increased when retrofitting a trailer coupling! You must observe the manufacturer's instructions!!

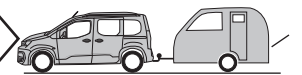
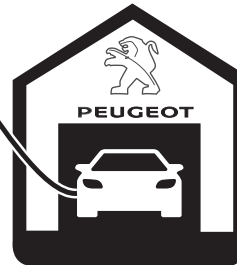
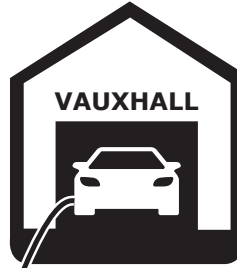
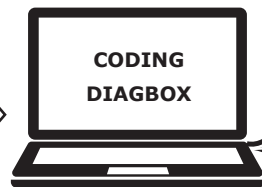
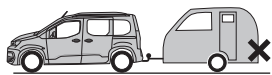


ATTENTION! In order to avoid mal-functions and damage to the vehicle's electrical system the earth terminal **must be disconnected** from the vehicle's battery **before starting work!**

Both the trailer module and the vehicle's control unit for the electrical system can be damaged during work on the data bus connections if the battery is not disconnected!

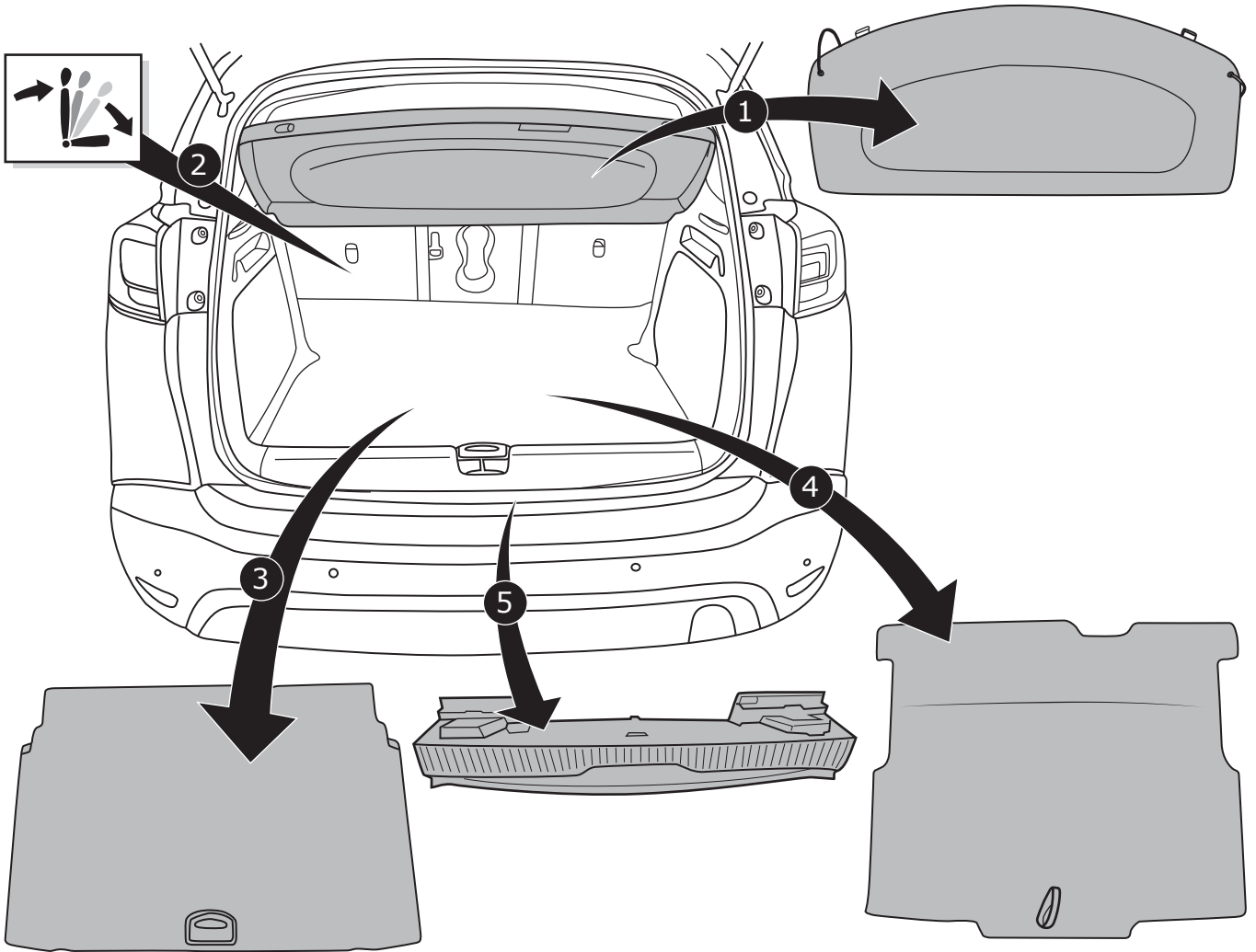
Please pay attention to the manufacturer's instructions when disconnecting and reconnecting the vehicle's battery!

1



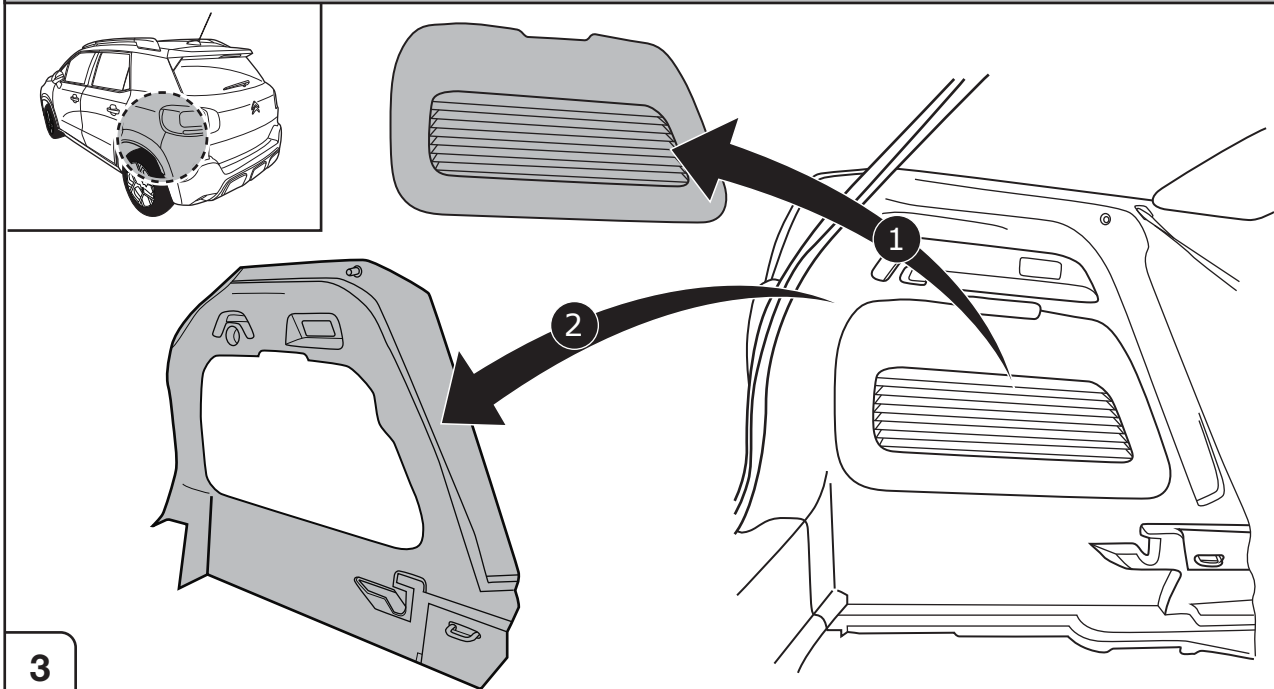
Code vehicle for lighting functions

C3 AIRCROSS



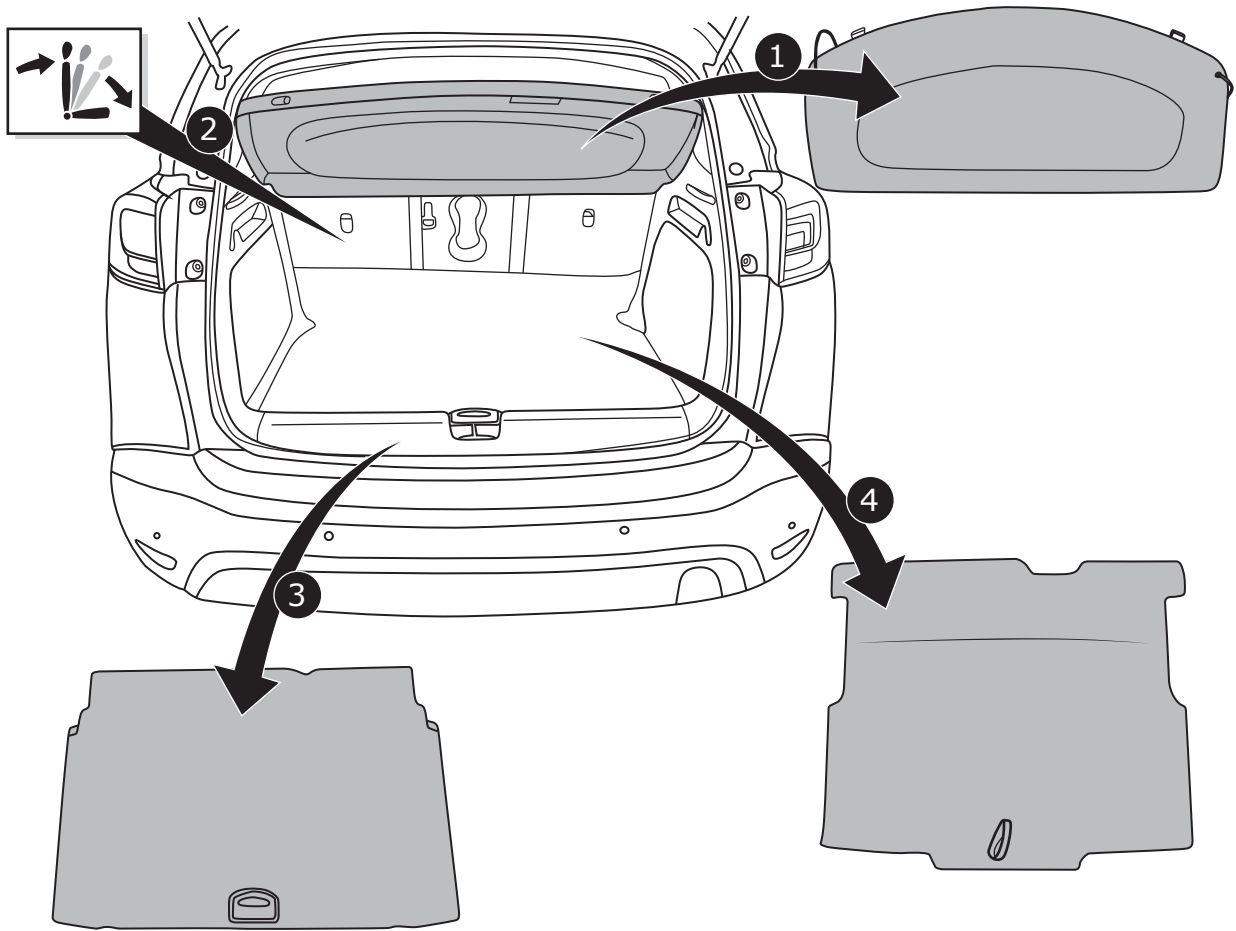
2

C3 AIRCROSS

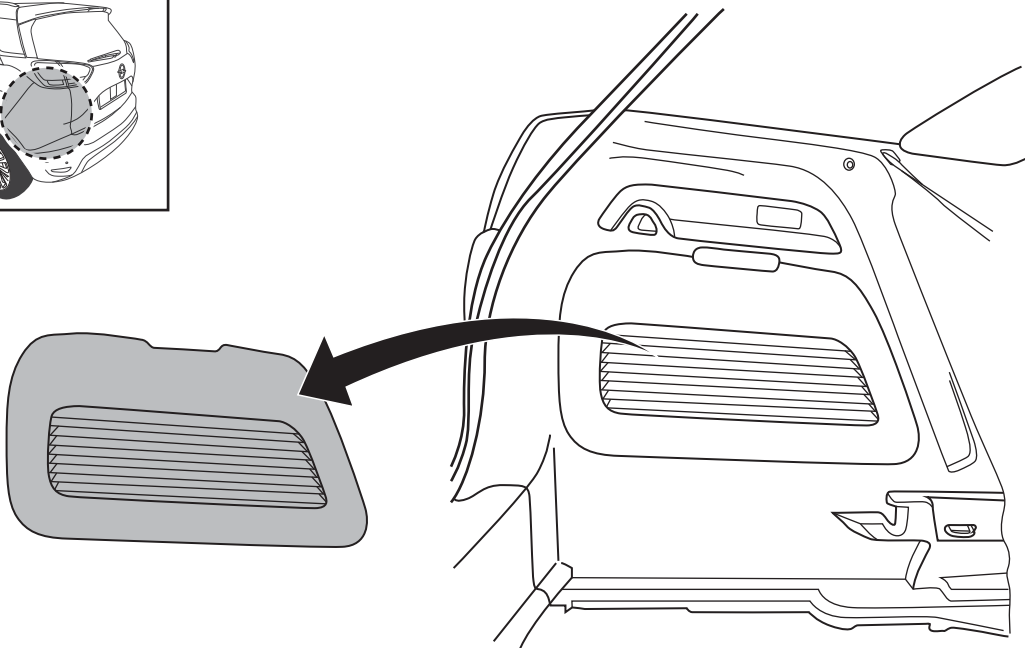
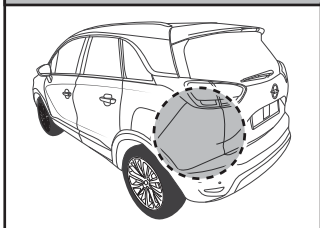


3

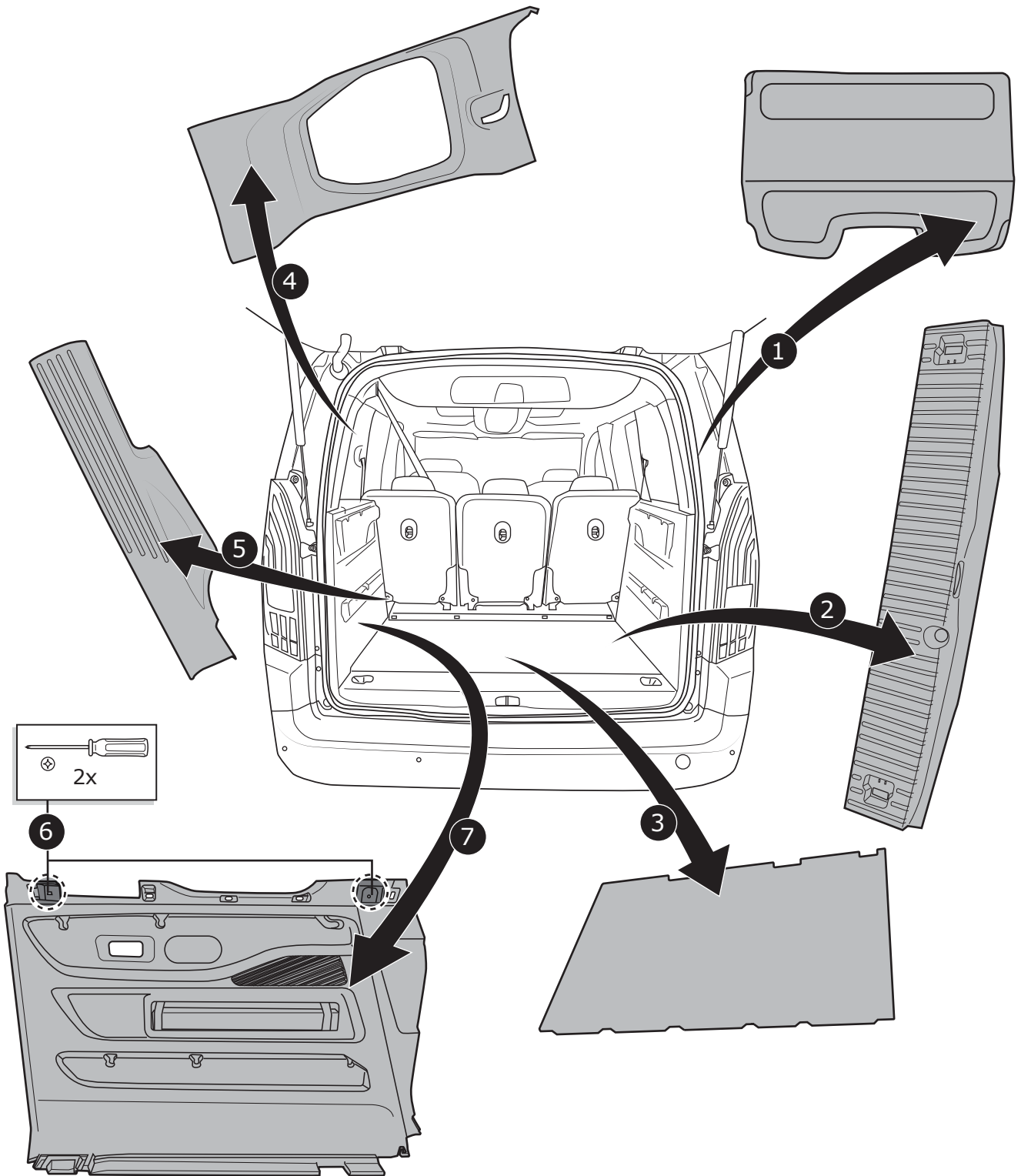
CROSSLAND, CROSSLAND X



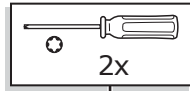
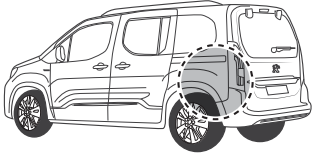
CROSSLAND , CROSSLAND X



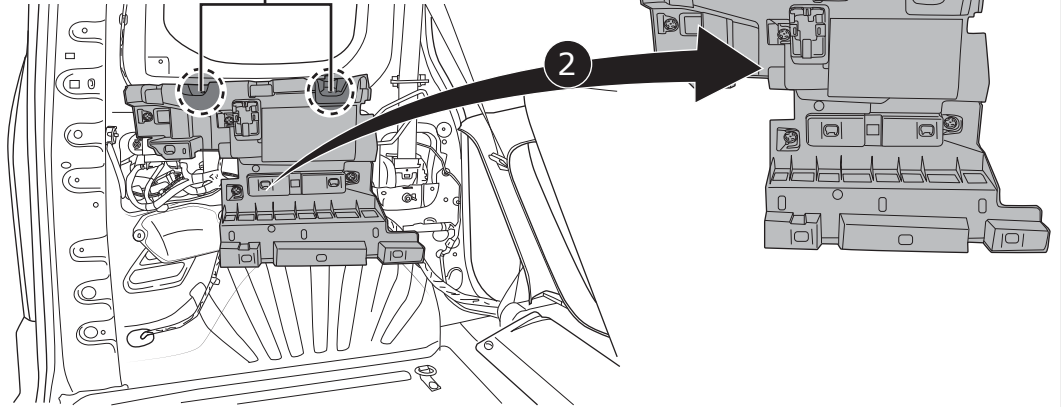
5



RIFTER, BERLINGO, COMBO, PARTNER, PROACE CITY (VERSO)

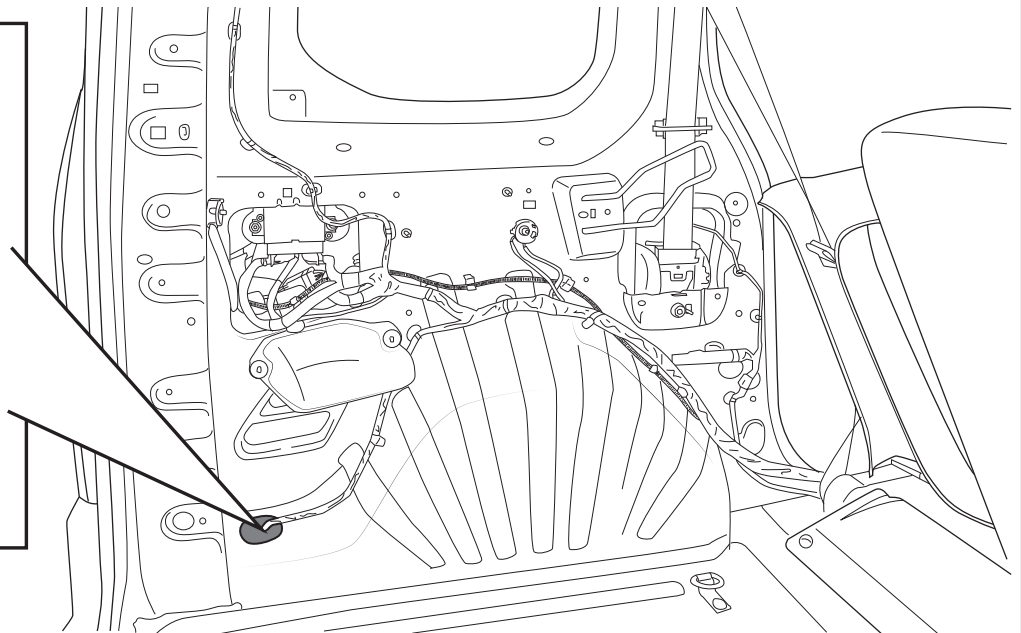
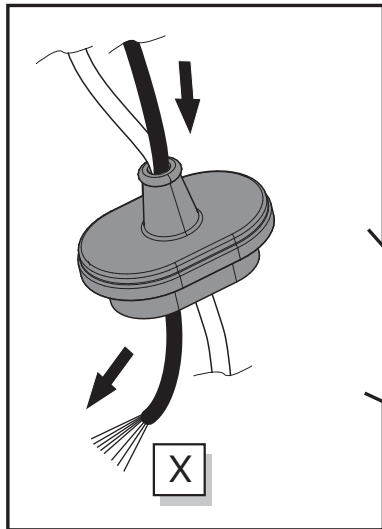


1



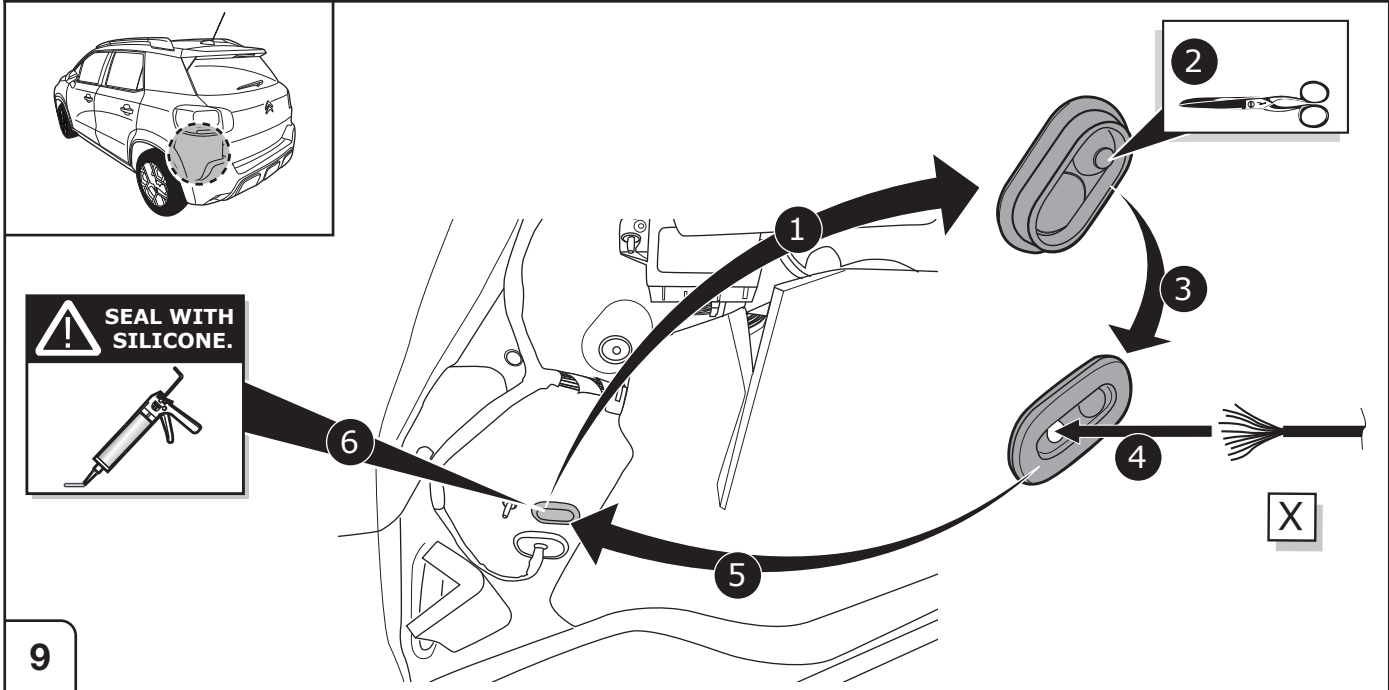
7

RIFTER, BERLINGO, COMBO, PARTNER, PROACE CITY (VERSO)



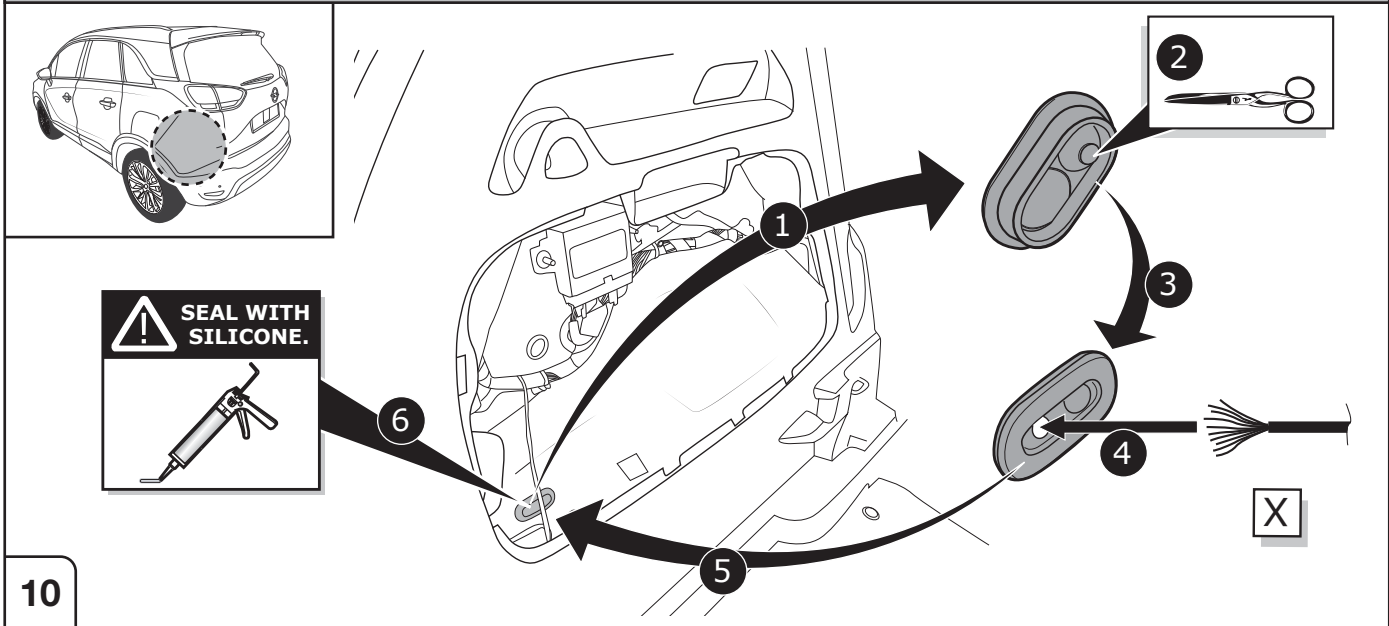
8

C3 AIRCROSS

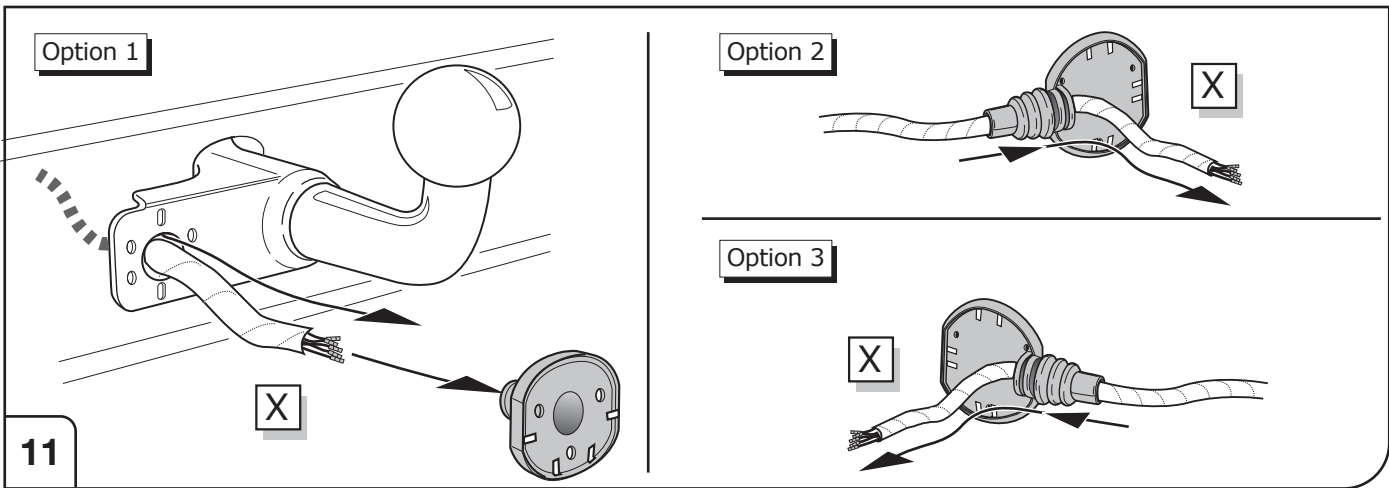


9

CROSSLAND , CROSSLAND X



10



11

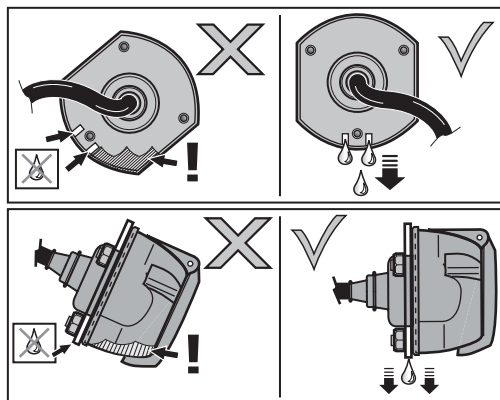
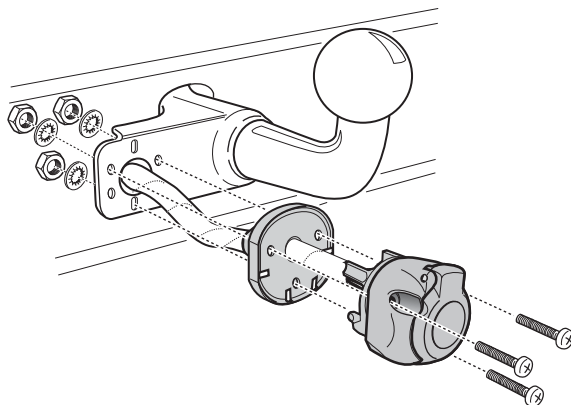
SOCKET CONNECTION



Page 22

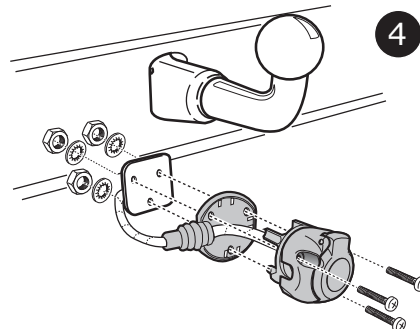
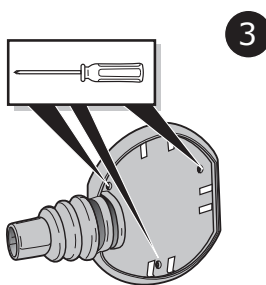
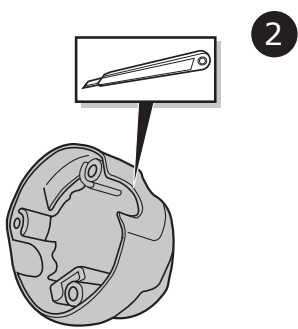
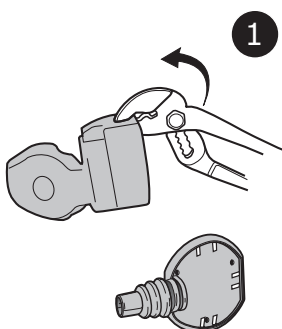
12

Option 1



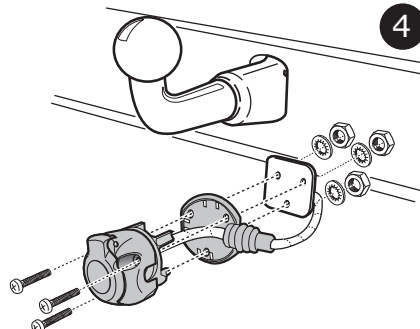
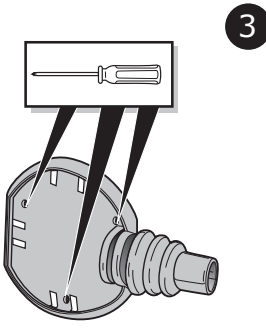
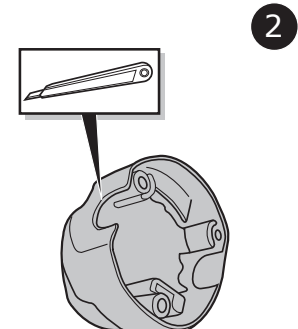
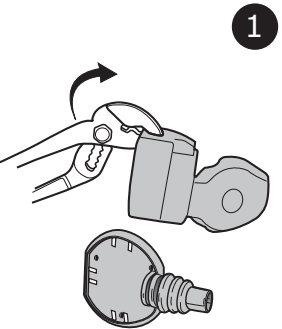
13

Option 2



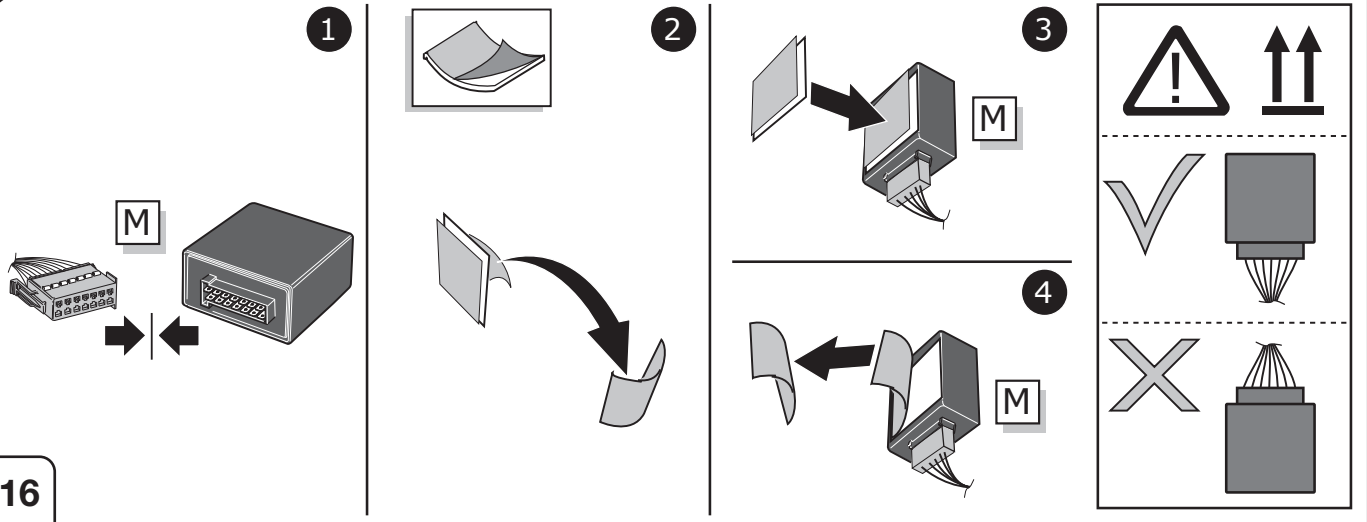
14

Option 3

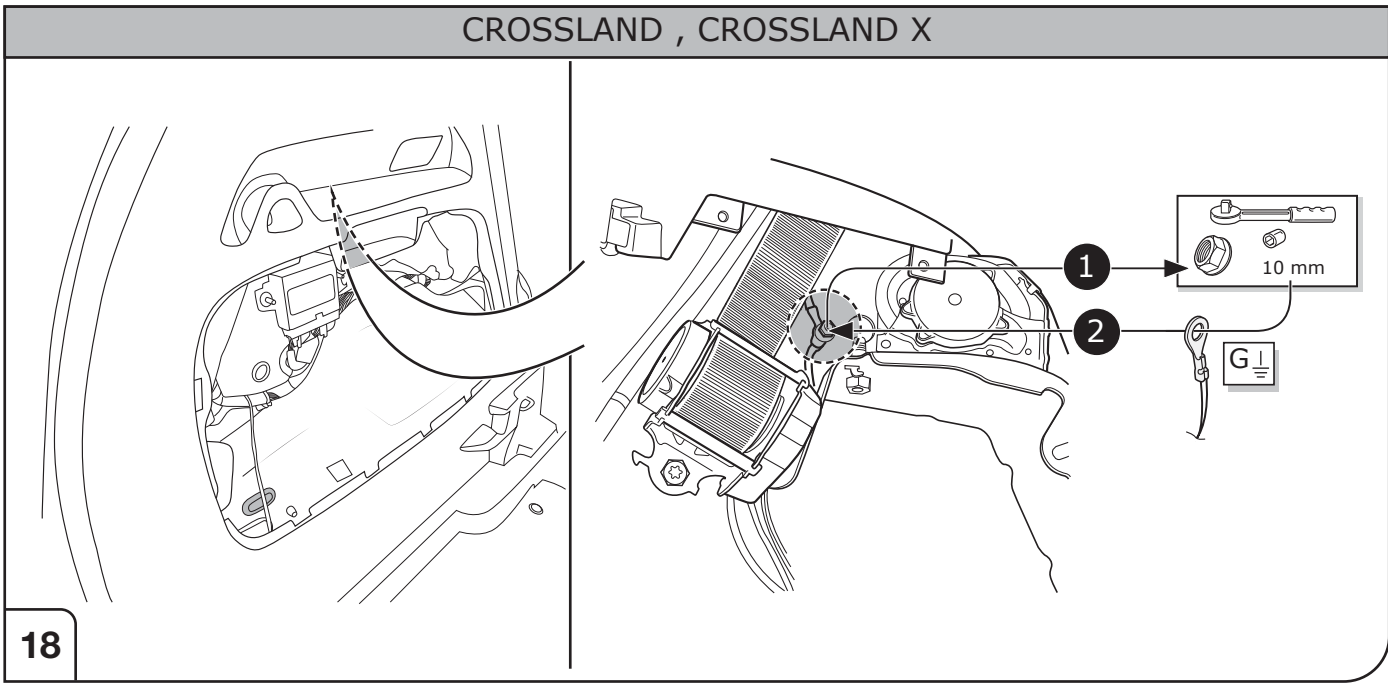
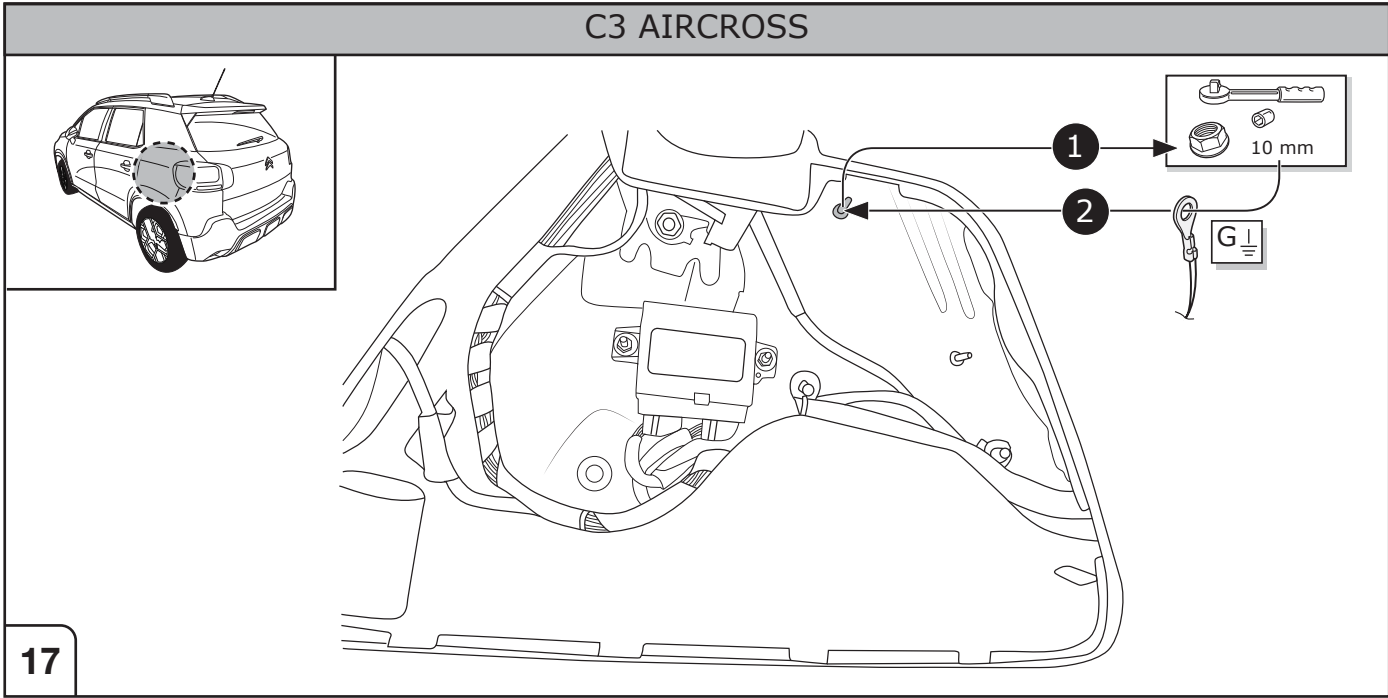


15

16

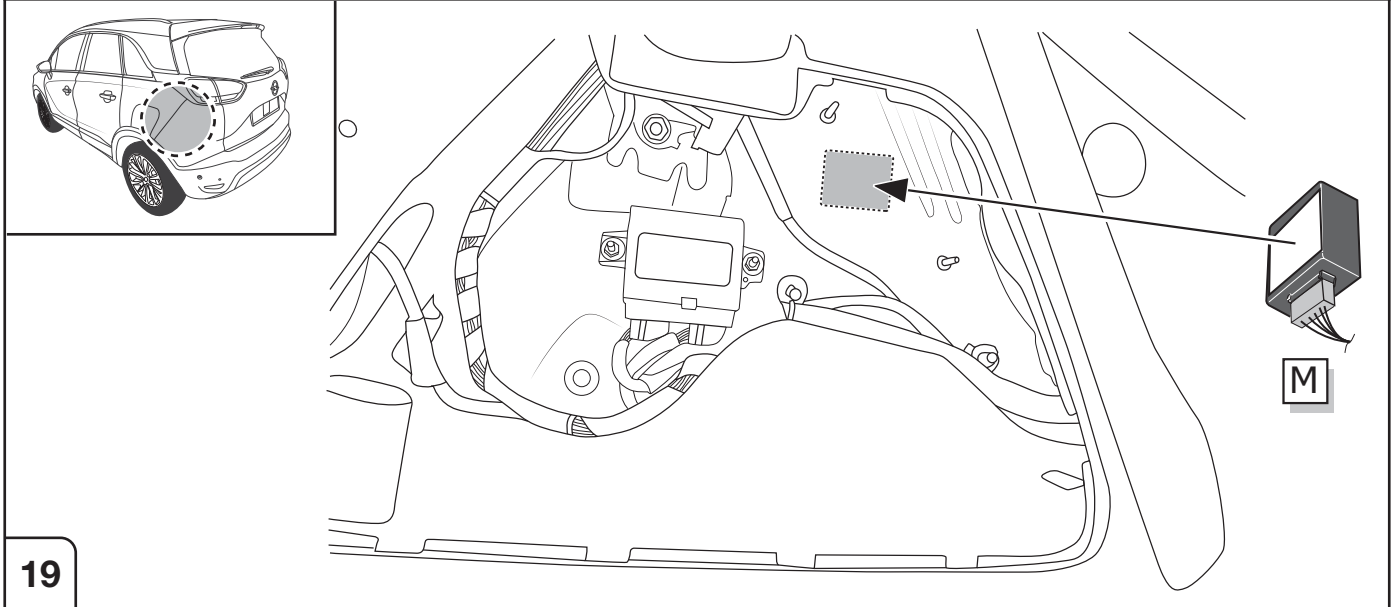


17

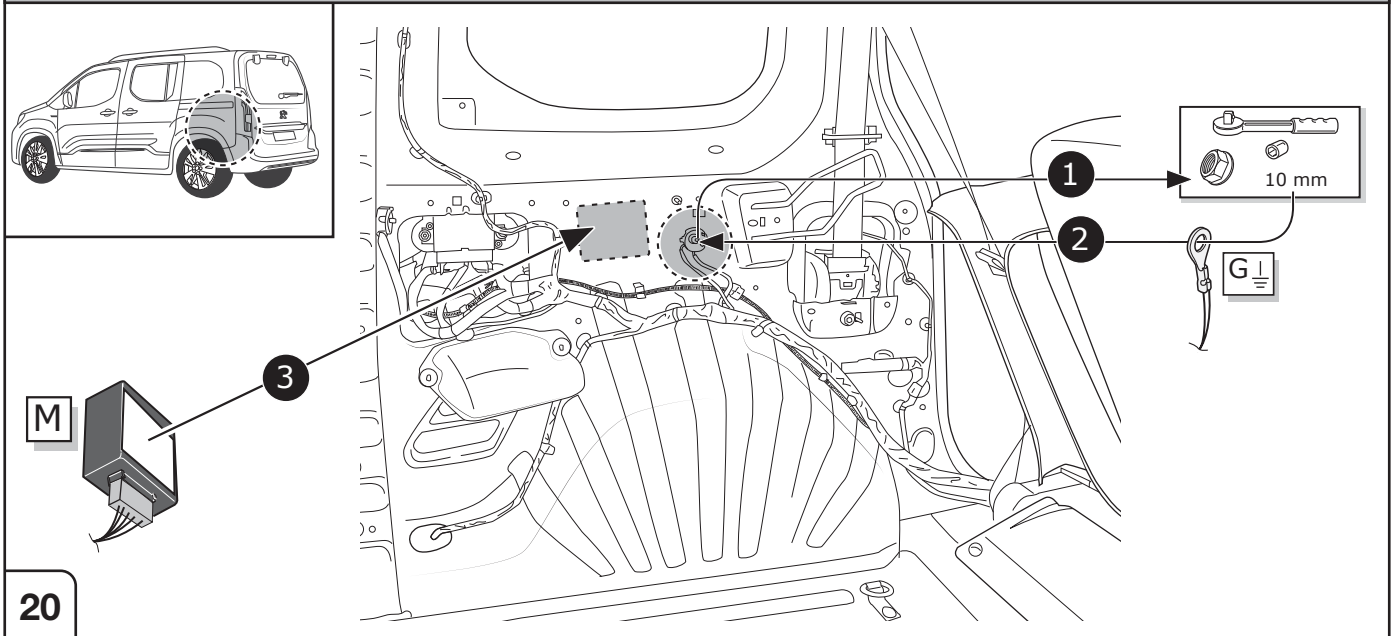


18

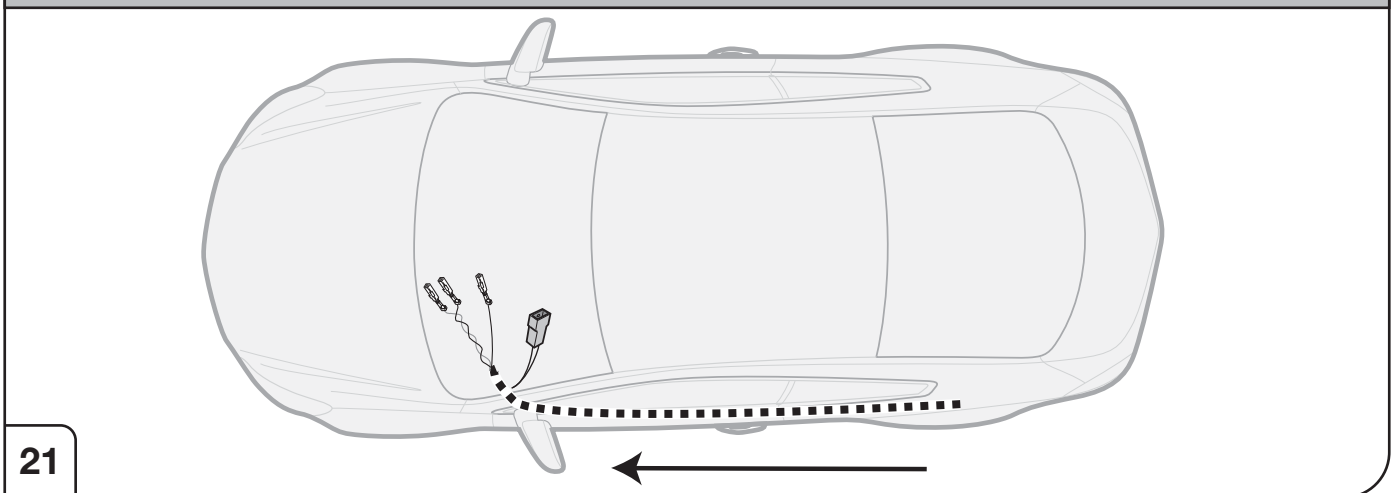
CROSSLAND , CROSSLAND X, C3 AIRCROSS



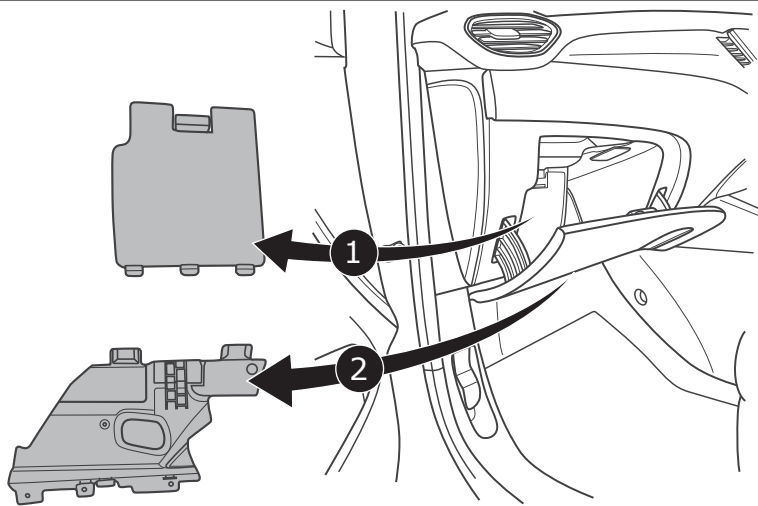
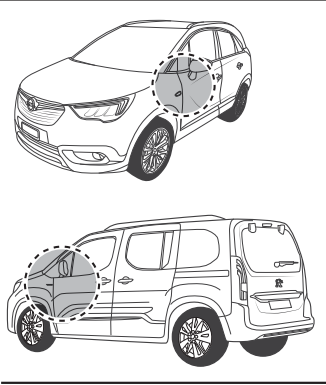
RIFTER, BERLINGO, COMBO, PARTNER, PROACE CITY (VERSO)



All models

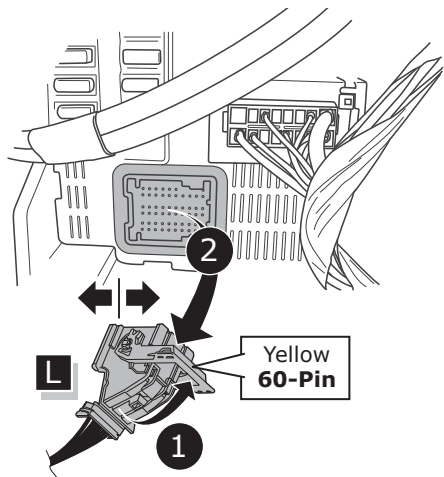
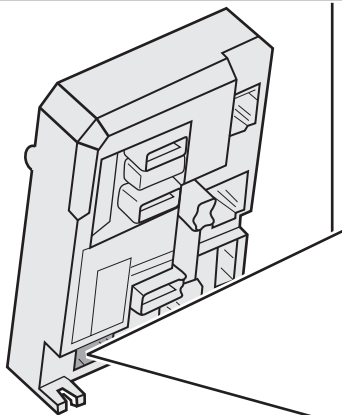
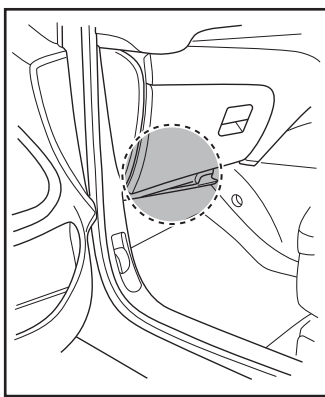


All models



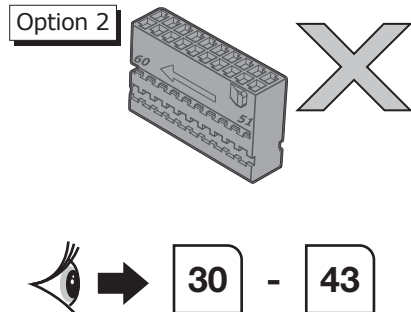
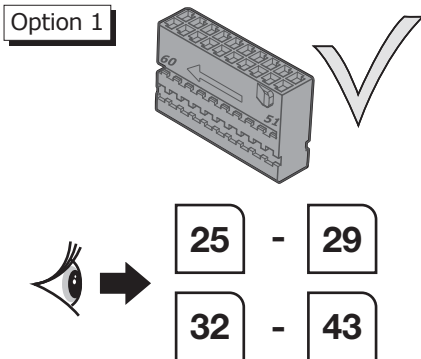
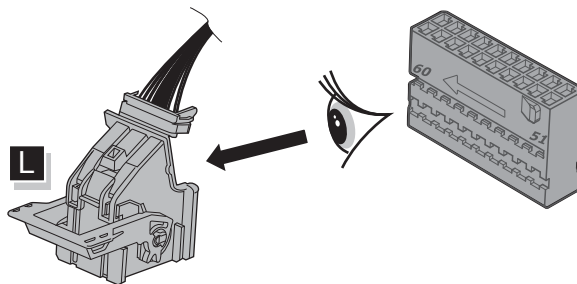
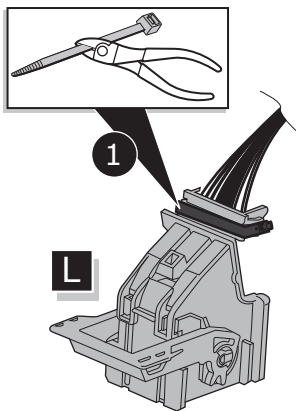
22

All models



23

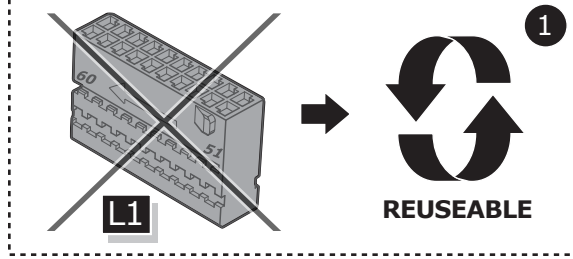
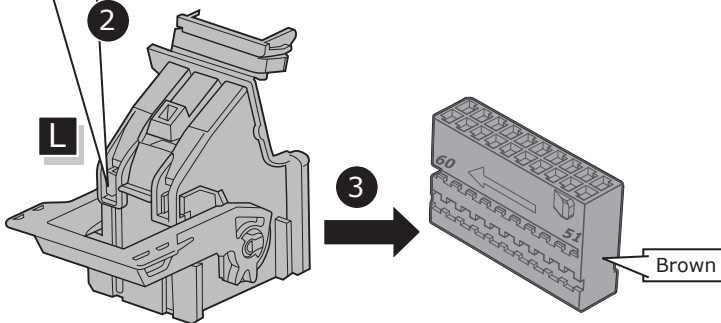
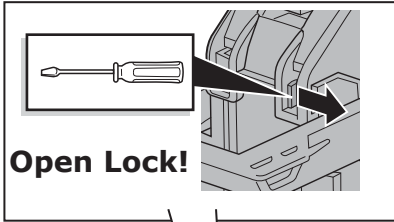
All models



24

All models

Option 1

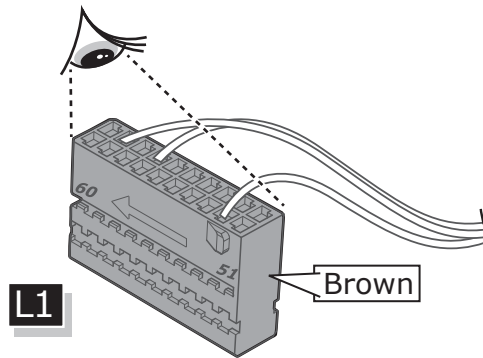


25

All models

Option 1

If positions 47/49/52 are occupied

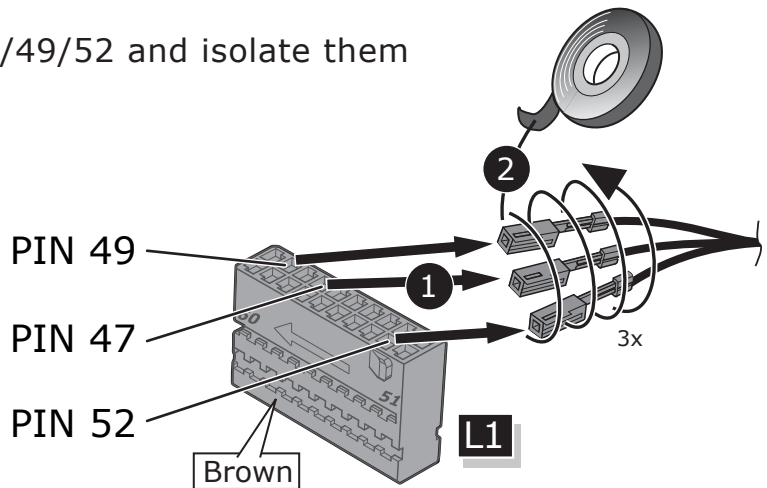


26

All models

Option 1

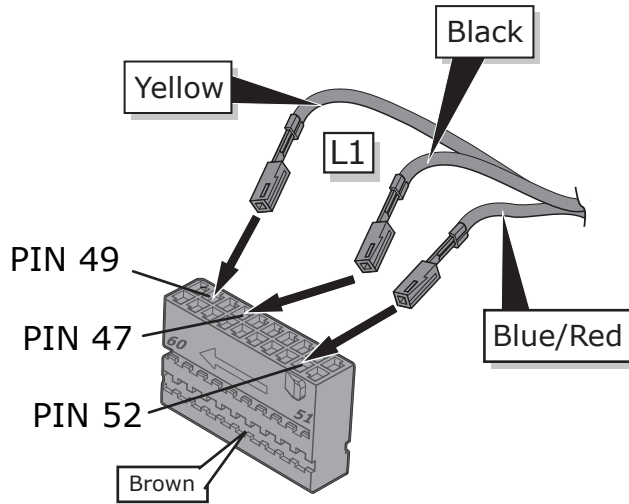
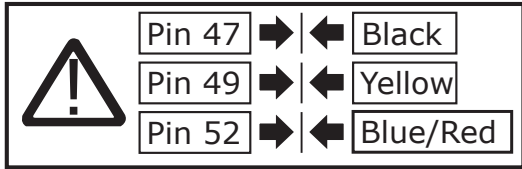
Remove wires from positions 47/49/52 and isolate them



27

All models

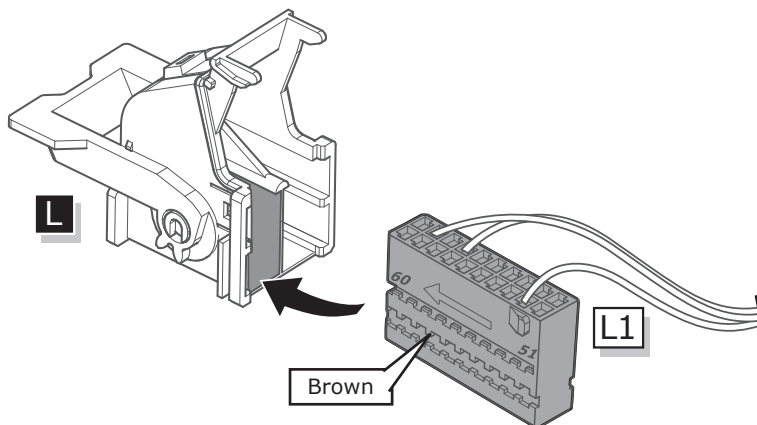
Option 1



28

All models

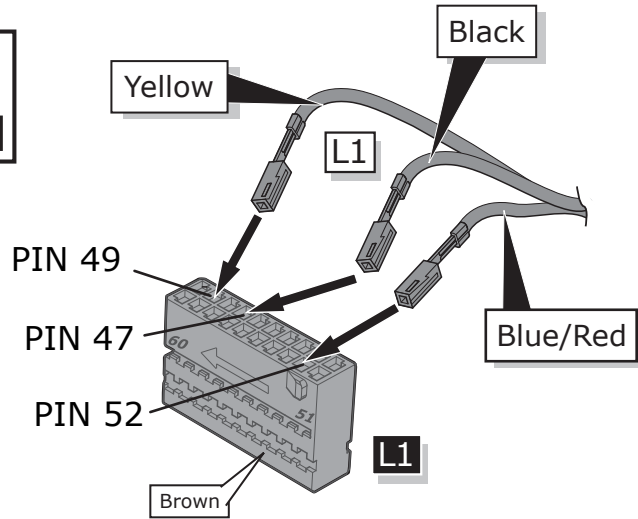
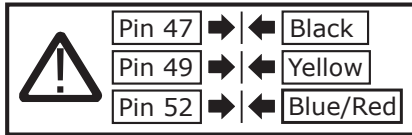
Option 1



29

All models

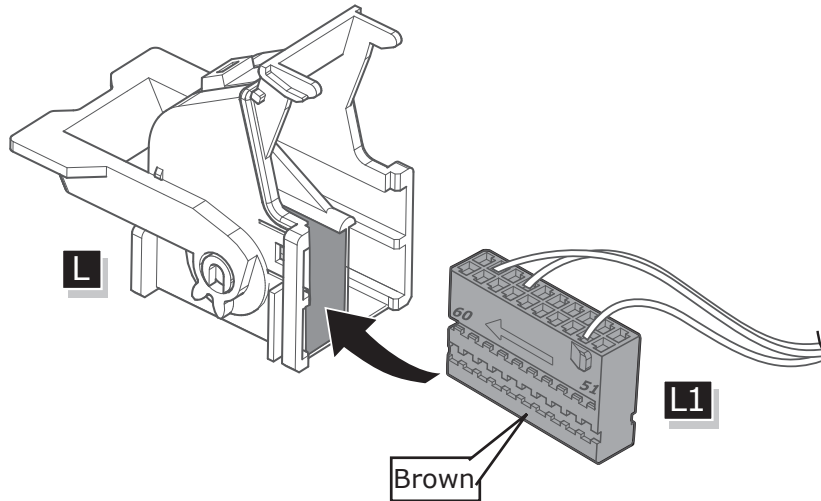
Option 2



30

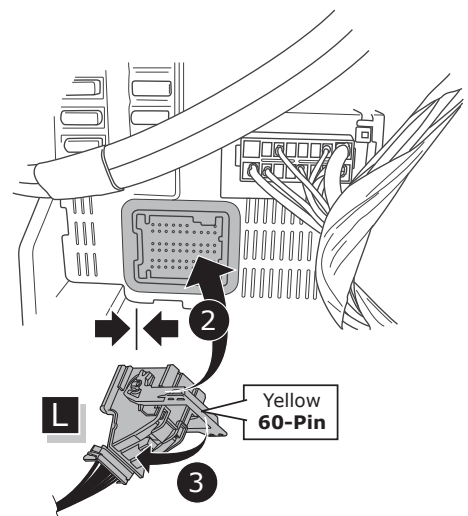
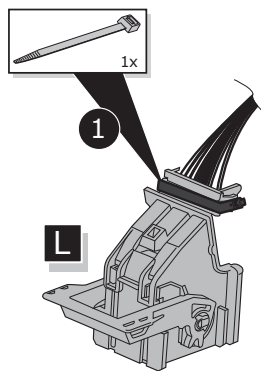
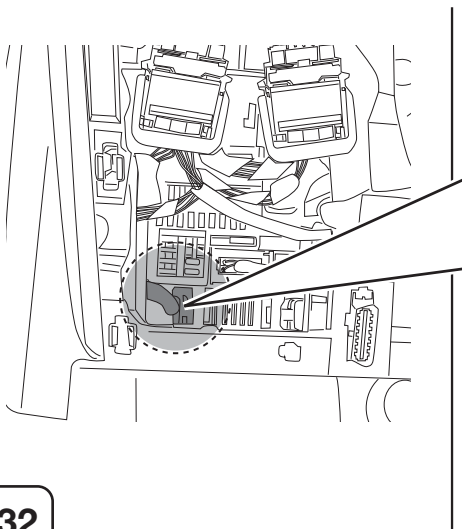
All models

Option 2



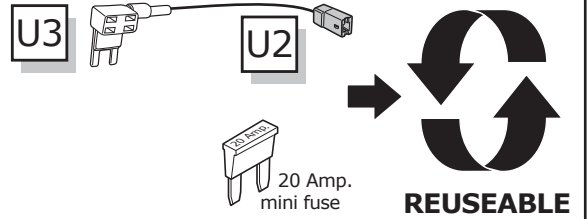
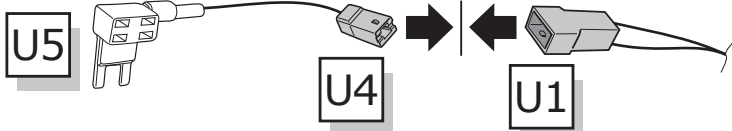
31

All models



32

All models

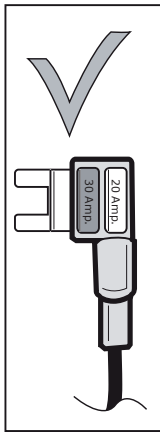
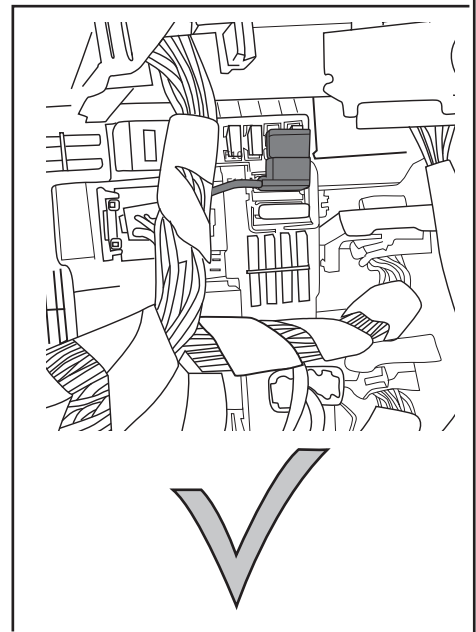
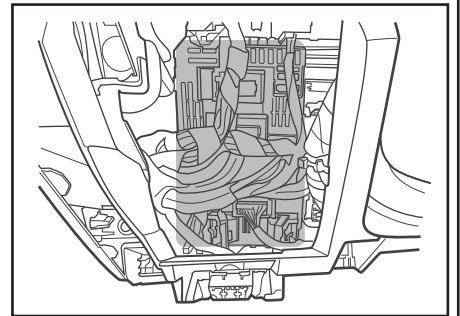
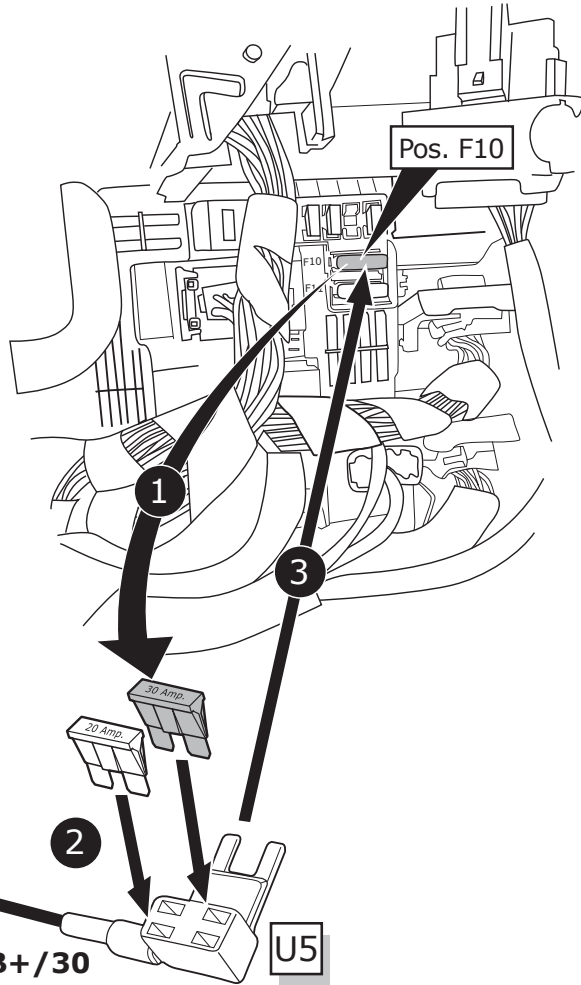


33

All models

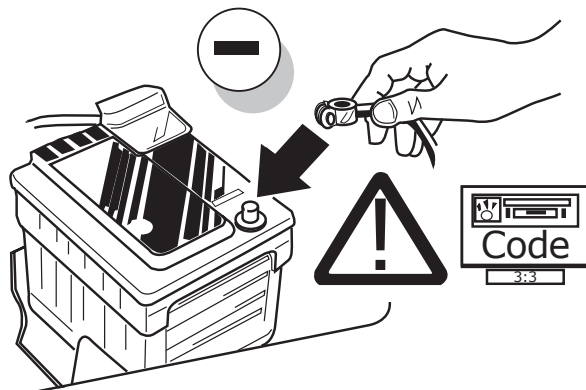


Important!
Please do not mount
the fuse tap and its
wiring output in
the other
direction!



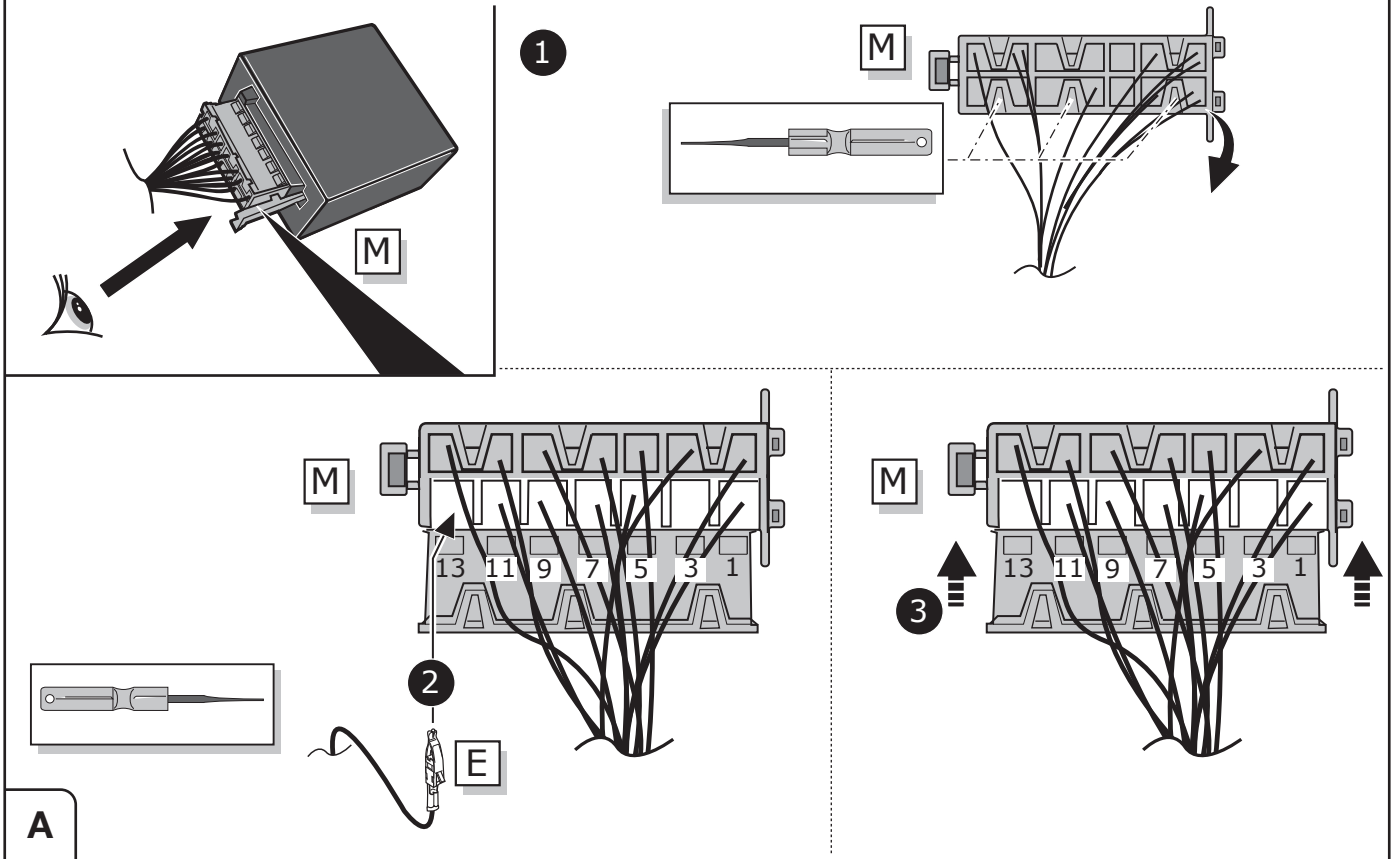
34

All models

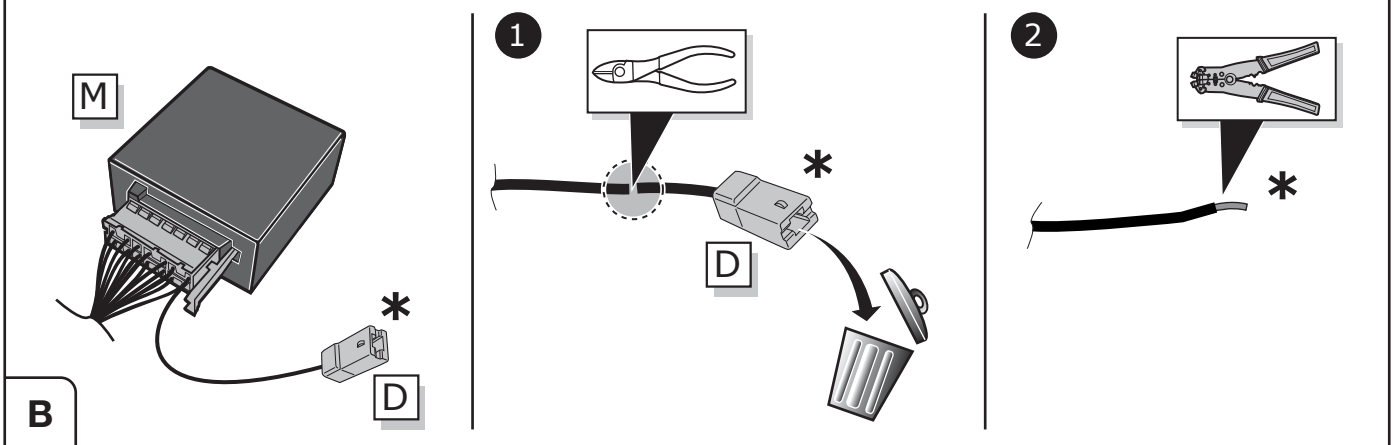


35

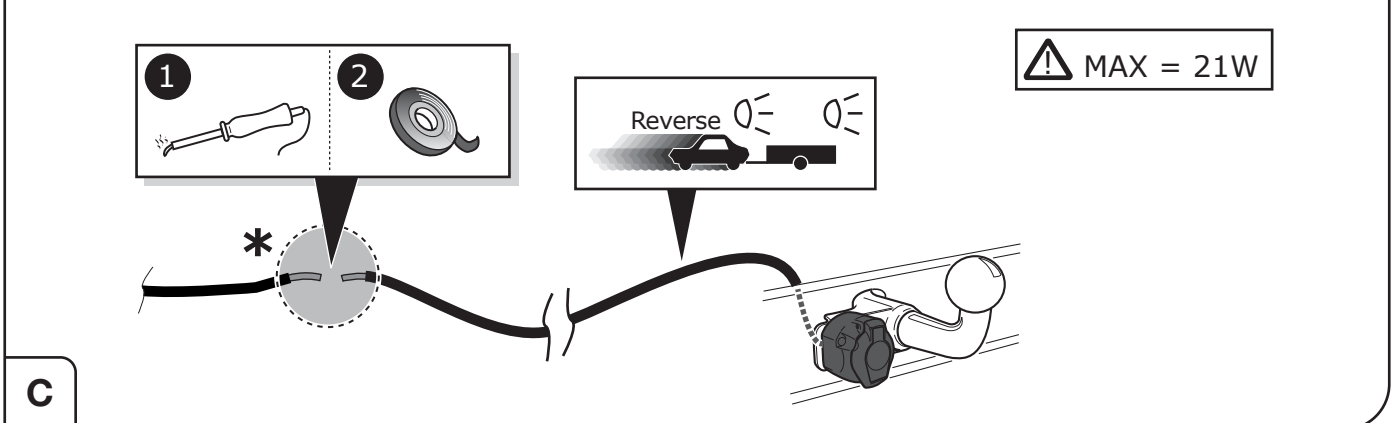
Reverse signal preparation



Reverse signal preparation



Reverse signal preparation



VAUXHALL

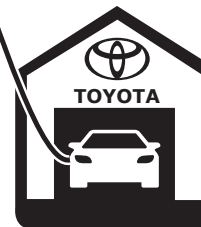
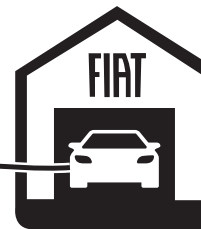
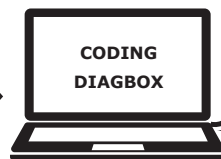
**Crossland
Crossland X**

Combo Life / Life XL

CITROËN

C3 Aircross

Berlingo M / XL



FIAT

Doblo

E-Doblo

PEUGEOT

Rifter L1 / L2

Partner L1 / L2

TOYOTA

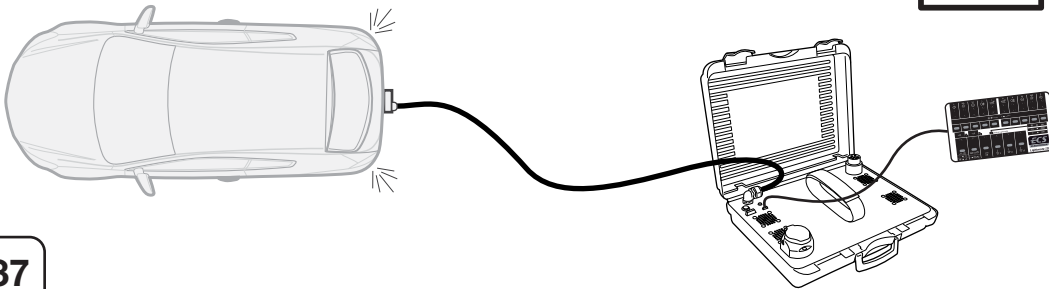
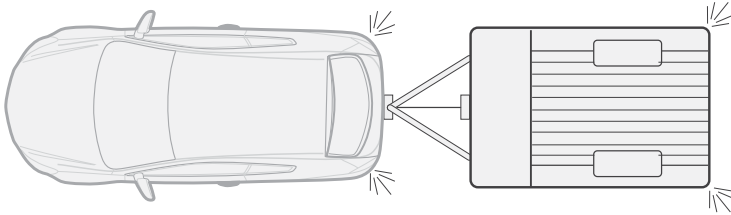
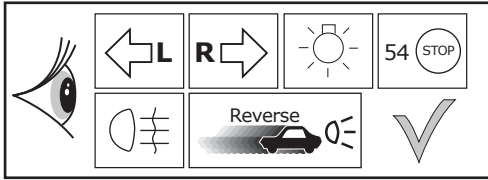
Proace City (Verso)

The activation of the trailer functions has to be carried out using the CITROËN DIAGBOX as follows:

- choose vehicle
- delivery
- equipment
- trailer control unit (BSR)
- installation of equipment

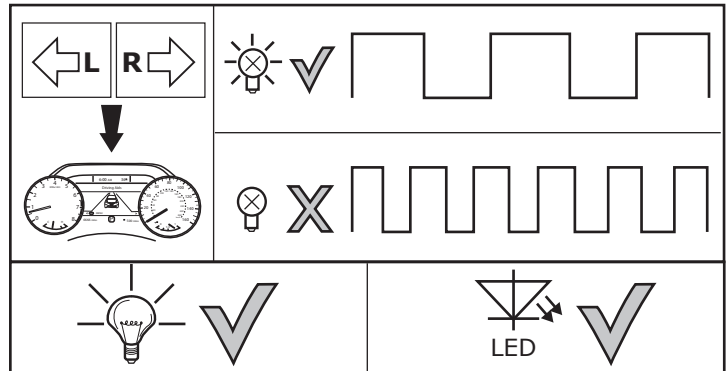
36

Functional test

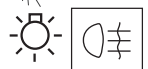
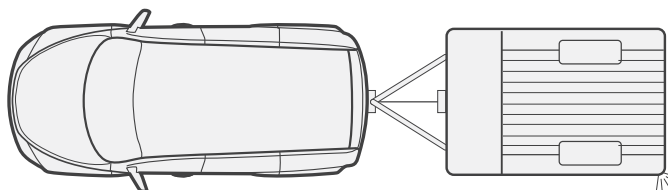
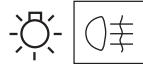
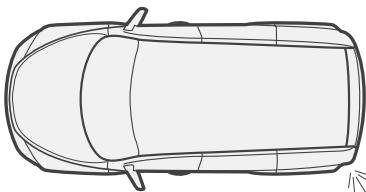


TRAILER TEST DEVICE
ECS part no. **TD001ZZ**

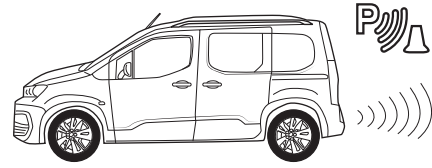
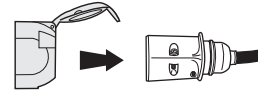
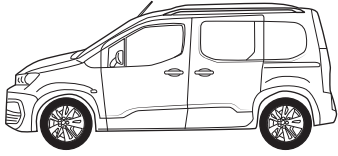
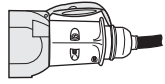
37



38



39



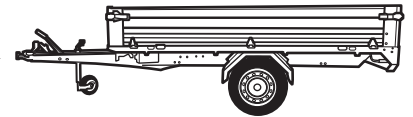
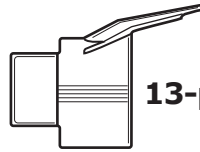
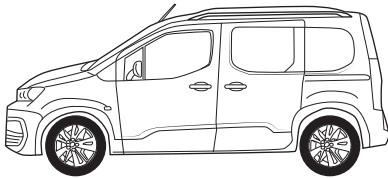
40

Optional

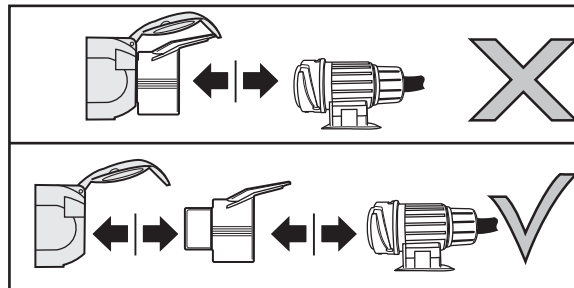
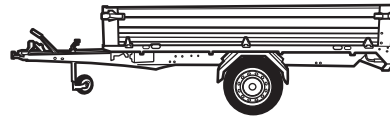
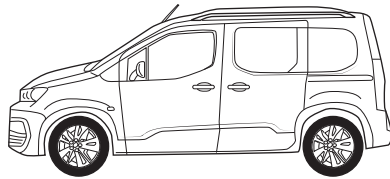
Adapter socket

7-pin

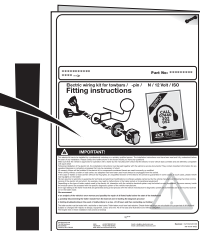
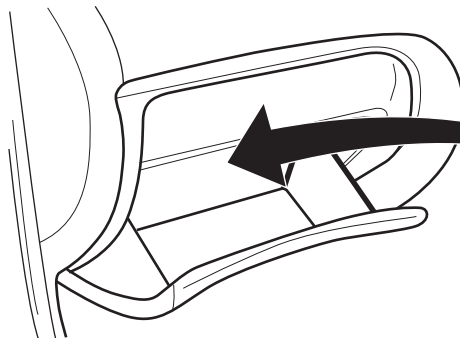
13-pin



41

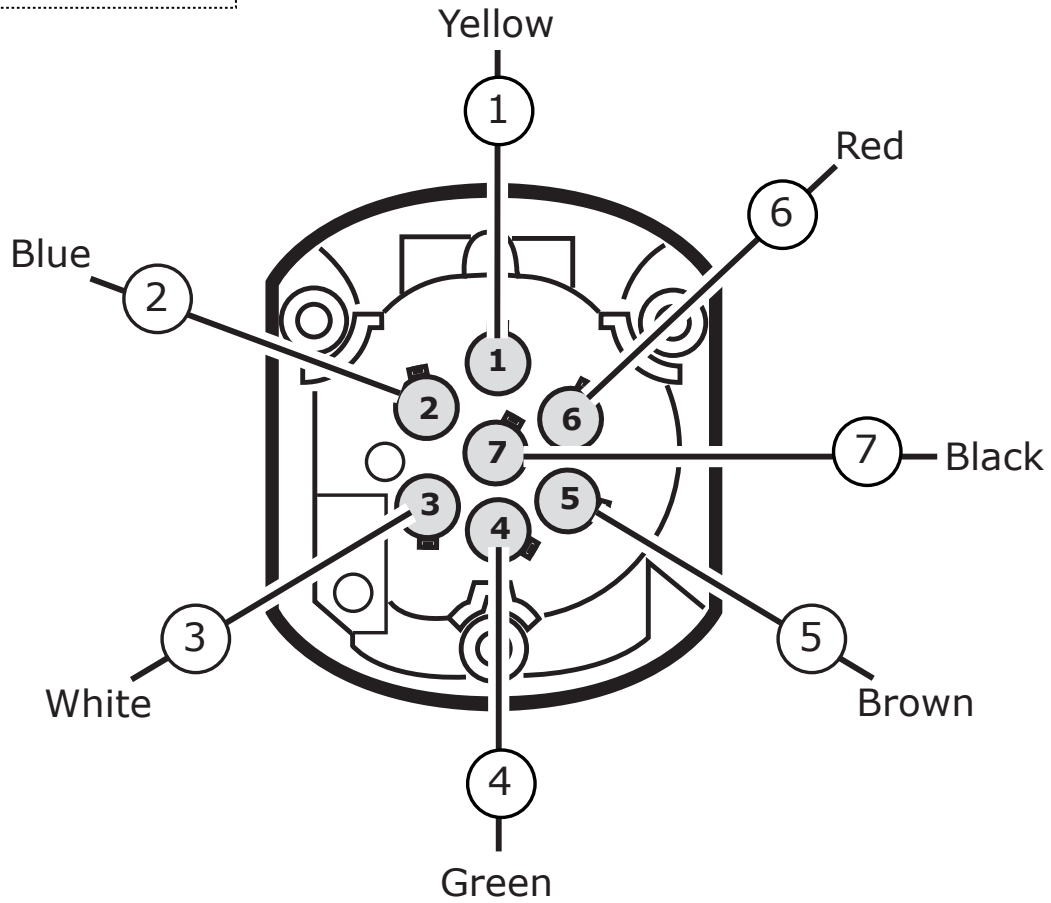
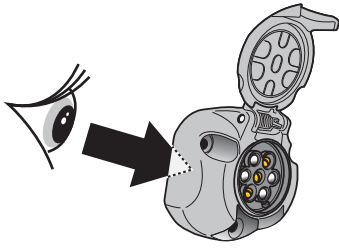


42



43

SOCKET CONNECTION



SOCKET CONNECTION

DIN/ISO 1724							
	1/L	2	3/31	4/R	5/58-R	6/54	7/58-L
Pmax	21W	21W		21W	52W	3x21W	52W
Colour	Yellow	Blue	White	Green	Brown	Red	Black